

PARTS LIST

[NX-MD1R]

* All printed circuit boards and its assemblies are not available as service parts.

Area suffix

B ----- U.K.
 E ----- Continental Europe
 EN ----- Northern Europe

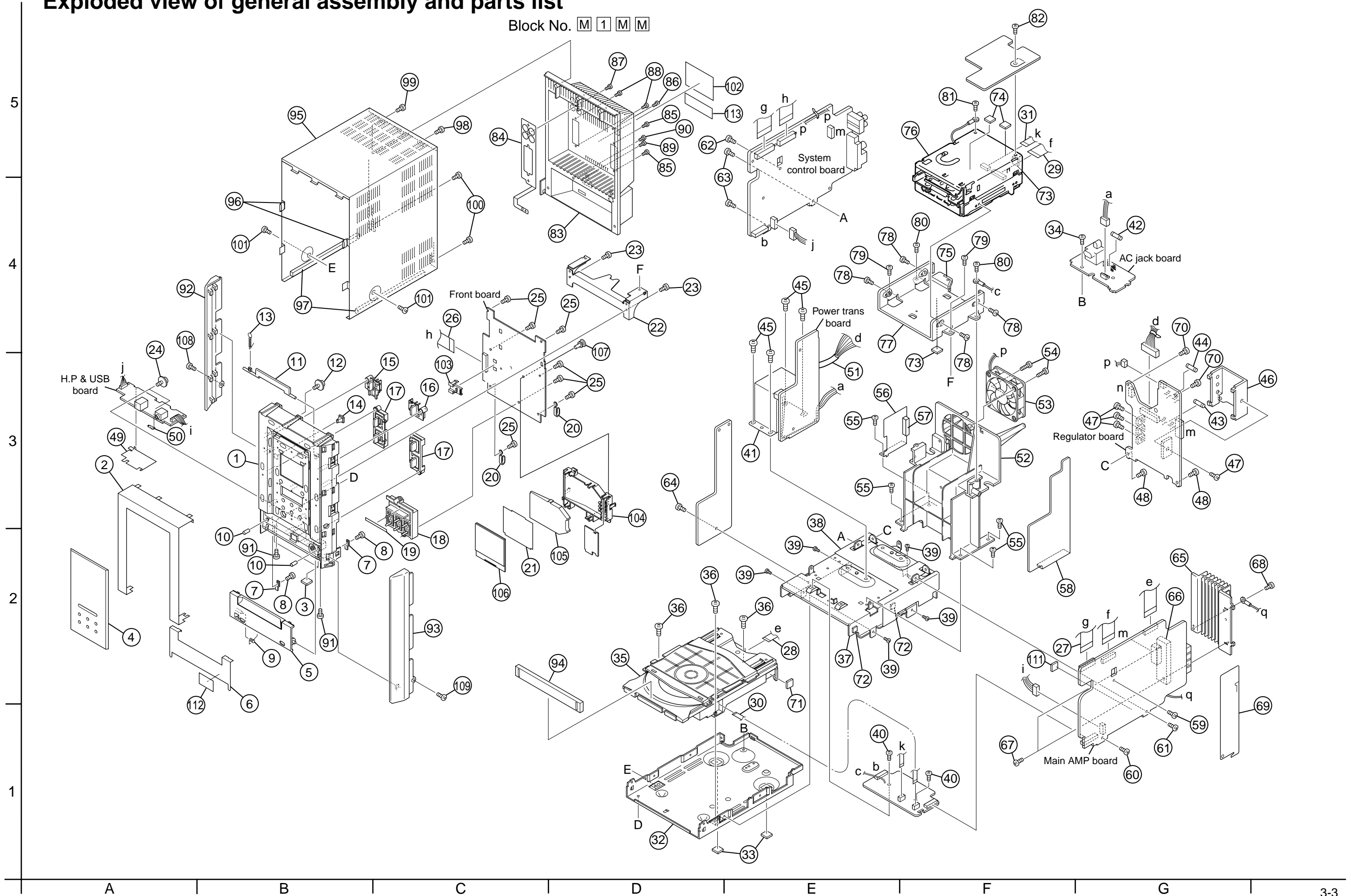
- Contents -

Exploded view of general assembly and parts list (Block No.M1)	3- 3
CD mechanism assembly and parts list (Block No.MB)	3- 6
MD mechanism assembly and parts list (Block No.ME)	3- 8
Electrical parts list (Block No.01~05)	3-11
Packing materials and accessories parts list (Block No.M3,M5)	3-24

< M E M O >

Exploded view of general assembly and parts list

Block No. **M 1 M M**



NX-MD1R/NX-MD1

NX-MD1R/NX-MD1

■ Parts list (General assembly)

Block No. M1MM

△	Item	Parts number	Parts name	Q'ty	Description	Area
	1	LV10519-001A	FRONT PANEL	1		
	2	LV21016-002A	FRONT PLATE	1		
	3	E75896-002	FELT SPACER	2	FOOT	
	4	LV32691-002A	WINDOW SCREEN	1		
	5	LV32688-001A	CD DOOR	1		
	6	LV32695-001A	CD DOOR PLATE	1		
	7	LV42339-001A	DOOR BKT	2	FOR CD DOOR	
	8	QYSDSF2608Z	SCREW	2	DOOR BKT+F.PANEL	
	9	LV42285-003A	DOOR SPRING	1	FOR CD DOOR	
	10	E69897-002	CUSHION	2	FOR F.PANEL	
	11	LV31906-005A	SHUTTER	1	MD	
	12	E72405-001SS	SPECIAL SCREW	1	FOR SHUTTER	
	13	LV41165-003A	SPRING	1		
	14	LV42283-001A	INDICATOR(POWER	1		
	15	LV32689-001A	BUTTON(POWER)	1		
	16	LV32690-001A	BUTTON(MD EJCT)	1		
	17	LV32687-001A	BUTTON(CD EJCT)	2		
	18	LV21015-001A	MAIN BUTTON	1		
	19	LV42417-001A	BUTTON SHEET	1		
	20	VKZ4001-110S	WIRE HOLDER	2	FOR H.P/USB WIRE	
	21	LV42354-001A	LCD SHEET	1	FOR LCD	
	22	LV32696-001A	MD STAY BKT	1		
	23	QYSBSF2608Z	T.SCREW	2	FOR MD STAY BKT	
	24	E65923-003	TAPPING SCREW	2	FOR H.PHON,USB	
	25	QYSBSF2608Z	T.SCREW	7	FOR FRONT PWB	
	26	QUQ412-1924DJ	FFC WIRE	1	FFC1	
	27	QUQ412-2120CJ	FFC WIRE	1	FFC2	
	28	QUQ110-1936AJ	FFC WIRE	1	FFC3	
	29	QUQ110-2116AM	FFC WIRE	1	FFC4	
	30	QUQ110-0824BJ	FFC WIRE	1	FFC5	
	31	QUQ110-0822AJ	FFC WIRE	1	FFC6	
	32	LV10521-001A	BOTTOM CHASSIS	1		
	33	E75896-006	FELT SPACER	2	FOR BOTTOM	
	34	QYSBST3006Z	T.SCREW	1	AC PWB+BOTTOM	
	35	-----	CD MECHA	1	FMU-N1-1M	
	36	QYSBST3008Z	T.SCREW	3	N1 + BOTTOM	
	37	LV10522-001A	SUB CHASSIS	1		
	38	LV33115-001A	DUST COVER	1		
	39	QYSDSG3006E	T.SCREW	5	SUB+B.C(SIDE/REAR)	
	40	QYSBST3006Z	T.SCREW	2		
△	41	QQT0332-002	POWER TRANSF	1	T9101	
△	42	QMF51W2-R63-J8	FUSE	1	F9009	
△	43	QMFZ031-8R0-J1	FUSE	1	F9001	
△	44	QMF51W2-2R0-J8	FUSE	1	F9002	
	45	QYSDSTL4008Z	SPECIAL SCREW	4	TRANS+SUB.CHASSIS	
	46	LV30866-201A	HEAT SINK 2	1	FOR REG	
	47	QYSBSG3010Z	T.SCREW	4	FOR REG/AMP+H.SINK	
	48	QYSBST3006Z	T.SCREW	2	FOR SUB+REG PWB	

■ Parts list (General assembly)

Block No. M1MM

△	Item	Parts number	Parts name	Q'ty	Description	Area
	49	LV42831-001A	SHIELD	1		
	50	LV42830-001A	EARTH	1		
	51	QWTBK00-050	TUBE	1		
	52	LV10526-001A	CENTOR SUPPORT	1		
	53	QAR0190-001	FAN MOTOR	1		
	54	QYSBSF3025Z	SCREW	2	C.SUPP+FAN.M	
	55	QYSBST3006Z	T.SCREW	4	SUB.C+C.SUPPORT	
	56	LV42632-001A	SHIELD	1	FOR TRANS	
	57	LV30225-0C2A	SPACER	1	FOR SHIELD	
	58	LV42615-001A	PWB COVER	1		
	59	QYSBSF3008Z	SCREW	1	C.SUPP+SP.PWB	
	60	QYSBST3006Z	T.SCREW	1	SUB+SP.PWB(FRON	
	61	QYSBSGG3008E	T.SCREW	1	SUB+SP.PWB(REAR	
	62	QYSBSF3008Z	SCREW	1	C.SUPP+TU.PWB	
	63	QYSBST3006Z	T.SCREW	2	SUB+TU.PWB	
	64	QYSDST3006Z	SCREW	1	SHIELD CB FIX	
	65	LV32697-001A	HEAT SINK	1	MAIN HEAT SINK	
	66	LV32698-001A	IC HOLDER	1	FOR IC	
	67	QYSBSG3014E	T.SCREW	2	FOR IC HOL+H.SI	
	68	QYSBSG3010E	T.SCREW	1	FOR H.SINK+H.S2	
	69	LV42539-001A	BARRIER	1		
	70	QYSBSF3008Z	SCREW	2	FOR REG PWB+C S	
	71	VYSH101-009	SPACER	1	CD MECHA FFC 1	
	72	VYSH101-009	SPACER	2	SUB CHASSIS FFC	
	73	VYSH101-009	SPACER	2	MD BKT MD FFC	
	74	VYSH101-009	SPACER	2	MD TOP CASE FFC	
	75	VYSA1R4-056	SPACER	1	MD BKT SHARP ED	
	76	-----	MD MECHA	1	FMU-S5M-2M	
	77	LV31914-001A	MD BKT	1		
	78	QYSBST3006Z	T.SCREW	4	MD BKT+MD MECHA	
	79	QYSBST3006Z	T.SCREW	2	MD STAY BK+MD B	
	80	QYSBSF3008Z	SCREW	2	MD BK+C.SUPPORT	
	81	QYSDST3006Z	SCREW	1	FOR EARTH	
	82	QYSDST3006Z	SCREW	1	FOR SHIELD PCB	
	83	LV10520-002A	REAR COVER	1		
	84	LV32715-001A	EARTH PLATE	1	FOR TUNER	
	85	QYSBSG3008M	T.SCREW	2	FOR SP JACK	
	86	QYSBSG3008M	T.SCREW	1	FOR DIGITAL IN	
	87	QYSBSG3008M	T.SCREW	1	FOR LINE 1 JACK	
	88	QYSBSG3008M	T.SCREW	2	FOR TU JACK	
	89	QYSBSG3008M	T.SCREW	1	FOR AC	
	90	QYSBSG3008M	T.SCREW	1	FOR R.COVER+SUB	
	91	QYSBST3008Z	T.SCREW	2	F.PANEL+BOTTOM	
	92	LV21023-001A	SIDE FITTING(L)	1		
	93	LV21024-001A	SIDE FITTING(R)	1		
	94	LV32693-003A	TRAY FITTING	1	FOR CD TRAY	
	95	LV21017-002A/S/	METAL COVER	1		
	96	LV30064-082A	SPACER	2	FOR METAL COVER	

Parts list (General assembly)

Block No. M1MM

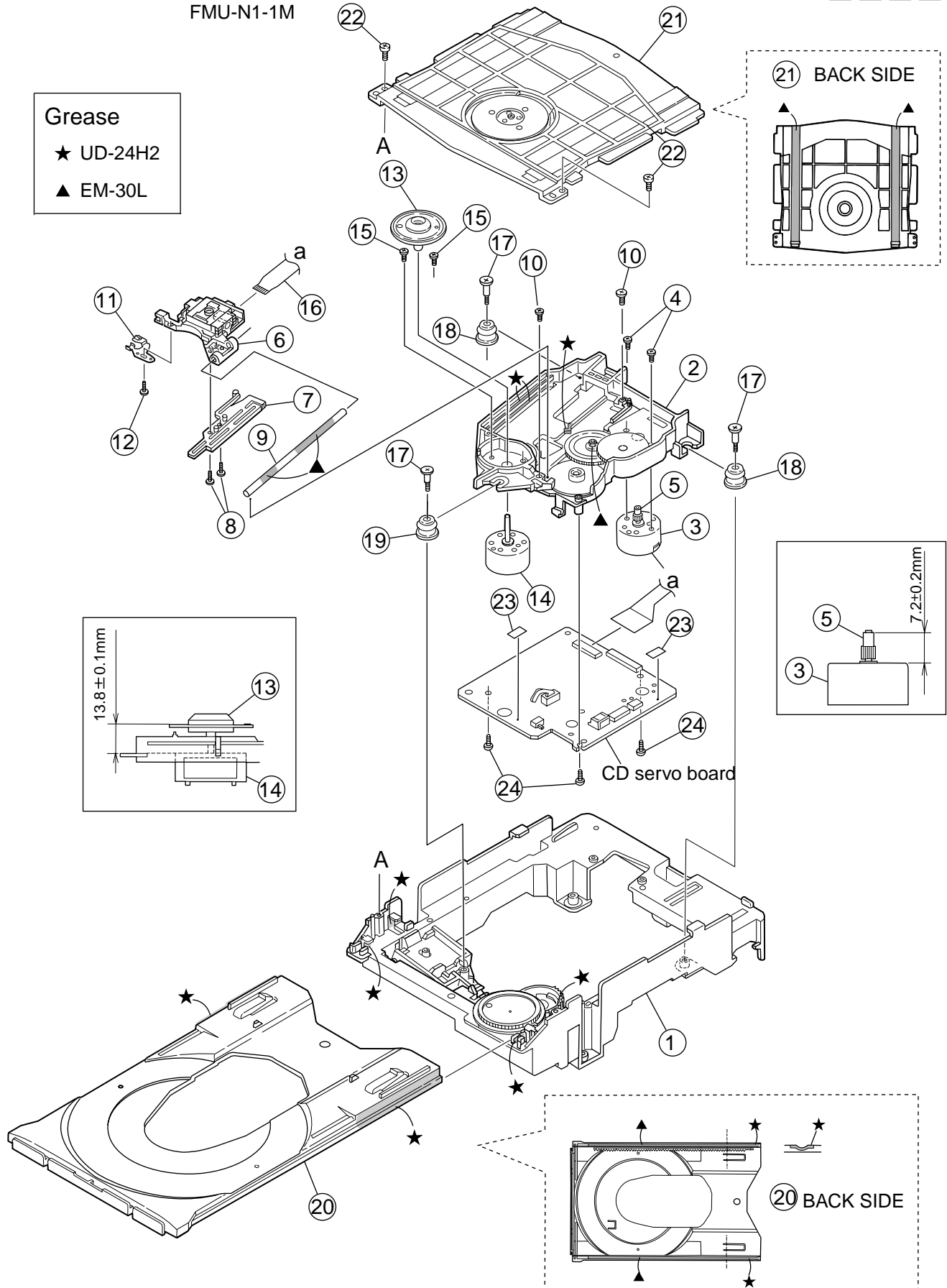
⚠	Item	Parts number	Parts name	Q'ty	Description	Area
	97	LV30225-0C3A	SPACER	2	FOR METAL COVER	
	98	QYSBSG3008E	T.SCREW	1	REAR UPPER RIGH	
	99	QYSBSG3008E	T.SCREW	1	REAR UPPER LEFT	
	100	QYSBSG3008E	T.SCREW	2	REAR L/R LOWER	
	101	QYSDSG3006N	T.SCREW	2	L / R SIDE	
	102	LV32735-003A	NAME PLATE	1		B,EN
		LV32735-008A	NAME PLATE	1		E
	103	LV42338-001A	LED HOLDER	1	FOR D7303	
	104	LV21039-002A	LENS HOLDER	1	FOR KEY-PWB	
	105	LV42284-001A	LCD LENS	1		
	106	QLD0180-001	LCD MODULE	1	DI701	
	107	FMYH4004-001	PLASTIC RIVET	1		
	108	QYSSST3006Z	SCREW	1		
	109	QYSSST3006Z	SCREW	1		
	111	VYSH101-009	SPACER	1		
	112	LV42594-001A	CAUTION LABEL	1	CD DOOR	
	113	VND4118-004	CAUTION LABEL	1	REAR COVER	

CD mechanism assembly and parts list

Block No. M B M M

FMU-N1-1M

Grease
 ★ UD-24H2
 ▲ EM-30L



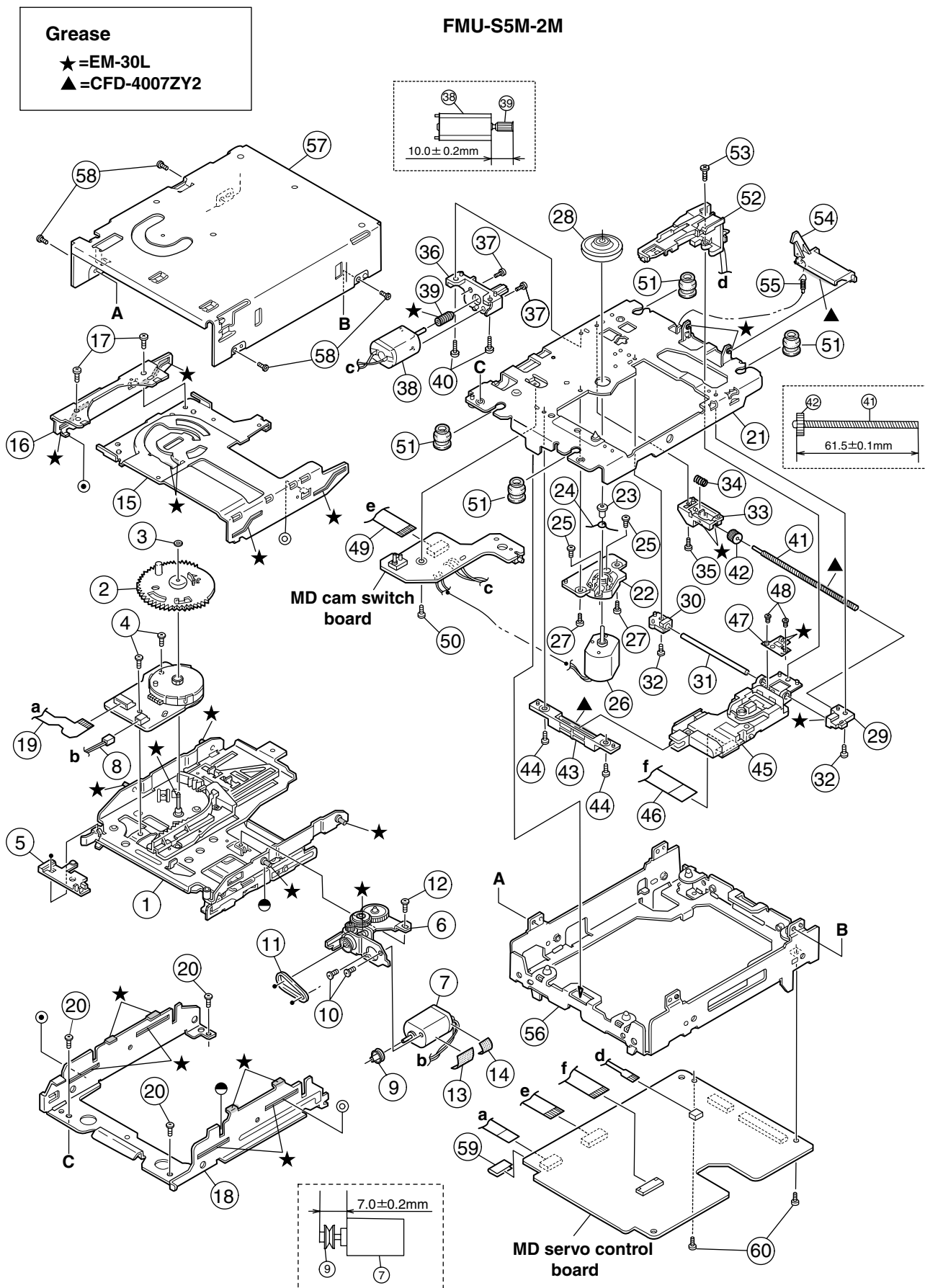
Parts list (CD mechanism)

Block No. MBMM

⚠	Item	Parts number	Parts name	Q'ty	Description	Area
	1	LV32649-003A	L.BASE ASSY	1		
	2	LV32651-002A	CH.BASE ASSY	1		
	3	QAR0176-001	FEED MOTOR	1		
	4	VKZ4743-001	SPECIAL SCREW	2		
	5	LV42229-001A	MOTOR GEAR	1		
	6	OPTIMA-725B1	CD PICK UP	1		
	7	LV20993-002A	RACK PLATE	1		
	8	QYSPSGT1735M	MINI SCREW	2		
	9	E406777-002SM	C.D SHAFT	1		
	10	LV41741-001A	SPECIAL SCREW	2		
	11	LV31744-001A	P.S.SPRING	1		
	12	QYSPSGT1425M	TAP SCREW	1		
	13	LV42350-001A	T.T.ASSY	1		
	14	QAR0175-001	SP.MOTOR	1		
	15	VKZ4743-001	SPECIAL SCREW	2		
	16	LVB30008-001A	FPC	1		
	17	LV41424-001A	SPECIAL SCREW	3		
	18	LV41659-001A	INSULATOR	2		
	19	LV41659-002A	INSULATOR	1		
	20	LV10503-001A	TRAY	1		
	21	LV32650-001A	CL.BASE ASSY	1		
	22	QYSBSF2005Z	T.SCREW	2		
	23	LV30225-0B6A	SPACER	2		
	24	QYSBSF2005Z	T.SCREW	3		

MD mechanism assembly and parts list

Block No. M E M M



Parts list (MD mechanism)

Block No. MEMM

△	Item	Parts number	Parts name	Q'ty	Description	Area
	1	LV20548-013A	LOADING ASSY	1		
	2	LV31472-002A	CAM GEAR	1		
	3	QYWDL1230252	SLIT WASHER	1		
	4	LV41477-002A	MINI TAP SCREW	2	CAM SW PWB	
	5	LV32168-002A	WIRE HOLDER	1		
	6	LV31710-002A	L.MOTOR ASSY	1		
	7	QAR0144-001	MOTOR	1	MT601	
	8	WJM0117-003A	E-SI C WIRE C-F	1		
	9	LV41341-001A	MOTOR PULLEY	1		
	10	QYSPSPT2020M	MINI SCREW	2	LOAD.MOTOR	
	11	LV41342-001A	BELT	1		
	12	LV41477-002A	MINI TAP SCREW	1	L.MOTOR BKT.	
	13	LV30225-068A	SPACER	1		
	14	LV30225-085A	SPACER	1		
	15	LV20543-002A	SLIDE BASE R	1		
	16	LV31483-001A	SLIDE BASE L	1		
	17	LV41477-002A	MINI TAP SCREW	2	SLIDE BASE	
	18	LV10286-002A	LOAD.MECHA BASE	1		
	19	LVB40003-001A	FPC CABLE	1		
	20	LV41477-002A	MINI TAP SCREW	3	L.MECHA BASE	
	21	LV31709-003A	TM.CHASSIS ASSY	1		
	22	LV20545-001A	SP.MOTOR BASE	1		
	23	LE40515-001A	COLLAR	1		
	24	LE40516-001A	SPRING	1		
	25	QYSPSPU1720N	SCREW	2	SP.MOTOR	
	26	FF-110PH-08280	SP.MOTOR	1	MT603	
	27	LV41477-002A	MINI TAP SCREW	2	SP.MOTOR BASE	
	28	LE30470-202A	T.TABLE ASSY	1		
	29	LV41343-001A	SHAFT HOLDER R	1		
	30	LV41344-002A	SHAFT HOLDER F	1		
	31	VKH5803-001	GUIDE SHAFT	1		
	32	LV41477-002A	MINI TAP SCREW	2	SHAFT HOLDER	
	33	LV31484-001A	T.SPRING HOLDER	1		
	34	LV41350-001A	COM.SPRING	1		
	35	LV41477-002A	MINI TAP SCREW	1	T.SP.HOLDER	
	36	LV31485-001A	FEED MOTOR BKT.	1		
	37	QYSPSPT2025N	MINI SCREW	2	FEED MOTOR	
	38	QAR0144-001	MOTOR	1	MT602	
	39	LV41345-001A	FEED WORM	1		
	40	LV41477-002A	MINI TAP SCREW	2	FEED MOTOR BKT.	
	41	LV42702-001A	SCREW SHAFT	1		
	42	LV41347-001A	S.SHAFT GEAR	1		
	43	LV31486-001A	PICK UP GUIDE	1		
	44	LV41477-002A	MINI TAP SCREW	2	P-UP GUIDE	
	45	KMS-260E	MD PICK UNIT	1		
	46	LVB30007-002A	FPC CABLE	1		
	47	LV41348-001A	RACK SPRING	1		
	48	QYSPSPT1414M	MINI SCREW	2	RACK SPRING	

■ Parts list (MD mechanism)

Block No. MEMM

△	Item	Parts number	Parts name	Q'ty	Description	Area
	49	WJT0042-001A	E-CARD WIRE	1		
	50	LV41477-002A	MINI TAP SCREW	1	T.MECHA PWB	
	51	LV40761-003A	INSULATOR	4		
	52	QAH0039-002	MD HEAD	1	H601	
	53	QYSPSPT1740N	MINI SCREW	1	MD HEAD	
	54	LV31487-002A	HEAD LIFTER	1		
	55	LV41349-001A	H.LIFTER SPRING	1		
	56	LV10284-002A	SINGLE FRAME	1		
	57	LV10285-003A	MECHA COVER	1		
	58	LV41477-002A	MINI TAP SCREW	4	MECHA COVER	
	59	LV30225-096A	SPACER	1		
	60	VKZ4539-024	MINI SCREW	2	SERVO PWB	

■ Electrical parts list (Micon board)

Block No. 01

△	Item	Parts number	Parts name	Remarks	Area	△	Item	Parts number	Parts name	Remarks	Area
	C 1	NCB31CK-223X	C CAPACITOR				CN605	QGF1205F1-21	CONNECTOR		
	C 2	NCB31HK-103X	C CAPACITOR				CN692	QGF1205F1-19	CONNECTOR		
	C 3	QETN1CM-106Z	E CAPACITOR	10MF 20% 16V			C4301	NCB21HK-471X	C CAPACITOR		
	C 4	NCB31HK-103X	C CAPACITOR				C4302	NCB21HK-471X	C CAPACITOR		
	C 6	NCB31HK-102X	C CAPACITOR				C4310	NCS31HJ-102X	C CAPACITOR		
	C 9	NCB31HK-102X	C CAPACITOR				C4311	QEK1AM-107Z	E CAPACITOR	100MF 20% 10V	
	C 10	NCS31HJ-120X	C CAPACITOR				C4312	NCS21HJ-220X	C CAPACITOR		
	C 11	NCB31CK-104X	C CAPACITOR				C4313	NCS21HJ-220X	C CAPACITOR		
	C 12	NCB31CK-473X	C CAPACITOR				C4314	QEK1AM-107Z	E CAPACITOR	100MF 20% 10V	
	C 13	NCS31HJ-120X	C CAPACITOR				C4315	NCF21EZ-104X	C CAPACITOR		
	C 15	NCS31HJ-120X	C CAPACITOR				C4316	NCF21EZ-104X	C CAPACITOR		
	C 16	NCS31HJ-120X	C CAPACITOR				C4320	NCF21EZ-104X	C CAPACITOR		
	C 17	NCB31HK-392X	C CAPACITOR				C4321	QETN1HM-106Z	E CAPACITOR	10MF 20% 50V	
	C 18	QEQ61HM-474Z	N.P.E.CAPACITOR	.47MF 20% 50V			C4322	QETN1HM-106Z	E CAPACITOR	10MF 20% 50V	
	C 19	NCB31CK-473X	C CAPACITOR				C4323	NCF21EZ-104X	C CAPACITOR		
	C 20	NCB31HK-102X	C CAPACITOR				C4324	QETN1HM-106Z	E CAPACITOR	10MF 20% 50V	
	C 21	NCB31CK-223X	C CAPACITOR				C4325	NCF21EZ-104X	C CAPACITOR		
	C 25	QEK1AM-107Z	E CAPACITOR	100MF 20% 10V			C4326	NCF21EZ-104X	C CAPACITOR		
	C 26	NCB31HK-103X	C CAPACITOR				C4331	NCB21HK-331X	C CAPACITOR		
	C 27	NCB31HK-103X	C CAPACITOR				C6101	NCS31HJ-151X	C CAPACITOR		
	C 30	QEK1CM-107Z	E CAPACITOR	100MF 20% 16V			C6102	NCS31HJ-151X	C CAPACITOR		
	C 31	QEK1CM-226Z	E CAPACITOR	22MF 20% 16V			C6111	NCB31HK-562X	C CAPACITOR		
	C 32	NCB31CK-473X	C CAPACITOR				C6131	NCB31HK-103X	C CAPACITOR		
	C 33	NCB31CK-473X	C CAPACITOR				C6201	NCS31HJ-151X	C CAPACITOR		
	C 34	NCB31CK-223X	C CAPACITOR				C6202	NCS31HJ-151X	C CAPACITOR		
	C 35	NCB31CK-473X	C CAPACITOR				C6211	NCB31HK-562X	C CAPACITOR		
	C 36	QEK1HM-105Z	E CAPACITOR	1.0MF 20% 50V			C6231	NCB31HK-103X	C CAPACITOR		
	C 37	QEK1HM-105Z	E CAPACITOR	1.0MF 20% 50V			C6302	NCS31HJ-103X	C CAPACITOR		
	C 38	QEK1HM-224Z	E CAPACITOR	.22MF 20% 50V			C6311	QEK1CM-107Z	E CAPACITOR	100MF 20% 16V	
	C 39	QEK1HM-105Z	E CAPACITOR	1.0MF 20% 50V			C6312	QEK1HM-475Z	E CAPACITOR	4.7MF 20% 50V	
	C 40	QEK1CM-106Z	E CAPACITOR	10MF 20% 16V			C7201	QER61AM-107Z	E CAPACITOR	100MF 20% 10V	
	C 41	QEK1CM-106Z	E CAPACITOR	10MF 20% 16V			C7401	QETN1HM-105Z	E CAPACITOR	1.0MF 20% 50V	
	C 42	NCB31HK-182X	C CAPACITOR				C7501	NCF31AZ-105X	C CAPACITOR		
	C 43	NCB31HK-182X	C CAPACITOR				C7502	NCF31AZ-105X	C CAPACITOR		
	C 44	QEK1CM-106Z	E CAPACITOR	10MF 20% 16V			C7503	NCF31AZ-105X	C CAPACITOR		
	C 45	QEK1CM-106Z	E CAPACITOR	10MF 20% 16V			C8001	QCZ0202-155Z	ML C CAPACITOR	1.5MF	
	C 46	NCB31EK-223X	C CAPACITOR				C8002	NCB31HK-103X	C CAPACITOR		
	C 47	QEK1HM-105Z	E CAPACITOR	1.0MF 20% 50V			C8003	NCB31HK-103X	C CAPACITOR		
	C 48	NCB31HK-222X	C CAPACITOR				C8005	QETN1AM-107Z	E CAPACITOR	100MF 20% 10V	
	C 49	NCB31HK-471X	C CAPACITOR				C8006	QETN0JM-108Z	E CAPACITOR	1000MF 20% 6.3V	
	C 50	QEK1CM-226Z	E CAPACITOR	22MF 20% 16V			C8007	QETN1AM-107Z	E CAPACITOR	100MF 20% 10V	
	C 51	QEK1HM-105Z	E CAPACITOR	1.0MF 20% 50V			C8008	NCS31HJ-101X	C CAPACITOR		
	C 52	QFVJ1HJ-274Z	MF CAPACITOR	.27MF 5% 50V			C8009	NCS31HJ-101X	C CAPACITOR		
	C 53	QEK1CM-226Z	E CAPACITOR	22MF 20% 16V			C8061	NCS31HJ-102X	C CAPACITOR		
	C 54	NCB31CK-473X	C CAPACITOR				C8062	NCS31HJ-102X	C CAPACITOR		
	C 55	NCS31HJ-330X	C CAPACITOR				C8063	NCS31HJ-470X	C CAPACITOR		
	C 56	NCS31HJ-100X	C CAPACITOR				C8064	NCS31HJ-270X	C CAPACITOR		
	C 57	NCB31HK-102X	C CAPACITOR				C8065	NCS31HJ-330X	C CAPACITOR		
	C 58	NCB21HK-473X	C CAPACITOR				C8066	NCS31HJ-470X	C CAPACITOR		
	C 70	NCS21HJ-220X	C CAPACITOR				C8067	NCS31HJ-102X	C CAPACITOR		
	C 71	NCS21HJ-220X	C CAPACITOR				C8071	NCS31HJ-220X	C CAPACITOR		
	C 72	NCB21HK-561X	C CAPACITOR				C8072	NCS31HJ-220X	C CAPACITOR		
	C 73	NCB21HK-104X	C CAPACITOR				C8091	NCB31HK-103X	C CAPACITOR		
	C 74	NCB21HK-104X	C CAPACITOR				C8101	QETN1HM-225Z	E CAPACITOR	2.2MF 20% 50V	
	C 75	QEK1HM-106Z	E CAPACITOR	10MF 20% 50V			C8102	QEK1HM-475Z	E CAPACITOR	4.7MF 20% 50V	
	C 76	NCB21HK-331X	C CAPACITOR				D 1	1SS133-T2	SI DIODE		
	CF 1	QAX0420-001	C FILTER				D 2	1SS133-T2	SI DIODE		
	CF 2	QAX0458-001Z	C FILTER				D 3	1SS133-T2	SI DIODE		
	CF 3	QAX0610-001Z	C DISCRIMINATOR				D 4	1SS133-T2	SI DIODE		
	CN601	QGA2501C3-05Z	CONNECTOR				D6303	1SS133-T2	SI DIODE		
	CN602	QGF1205F1-19	CONNECTOR				D6304	1SS133-T2	SI DIODE		
	CN603	QGB2016K1-06	CONNECTOR				D6311	MTZJ3.9B-T2	ZENER DIODE		
	CN604	QGB2016K1-11	CONNECTOR				D6312	1SS133-T2	SI DIODE		

■ Electrical parts list (Micon board)

Block No. 01

△	Item	Parts number	Parts name	Remarks	Area	△	Item	Parts number	Parts name	Remarks	Area
	D6313	1SS133-T2	SI DIODE				Q6101	2SD2114K/VW/-X	CHIP TRANSISTOR		
	D7301	SLI-343URC3F	LED	STBY RED			Q6201	2SD2114K/VW/-X	CHIP TRANSISTOR		
	D7302	SLA-360MT3F	LED	P-ON GREEN			Q6301	DTA144EKA-X	TRANSISTOR		
	D7303	NSPB320BS/VQRS/	LED	VOLKEY BLUE			Q6311	2SA1037AK/R/-X	TRANSISTOR		
	D7305	MTZJ7.5C-T2	ZENER DIODE				Q6312	2SC2412K/RS/-X	TRANSISTOR		
	D7401	NSPW510BS/BRS/	LED				Q6320	2SA1037AK/R/-X	TRANSISTOR		
	D7402	NSPW510BS/BRS/	LED				Q6321	DTC114EKA-X	TRANSISTOR		
	D7403	NSPW510BS/BRS/	LED				Q7301	2SC2412K/RS/-X	TRANSISTOR		
	D7404	MTZJ7.5C-T2	ZENER DIODE				Q7302	2SC2412K/RS/-X	TRANSISTOR		
	D7405	MTZJ7.5C-T2	ZENER DIODE				Q7303	2SC2412K/RS/-X	TRANSISTOR		
	D7406	MTZJ7.5C-T2	ZENER DIODE				Q7401	2SC2412K/RS/-X	TRANSISTOR		
	D8001	1SS133-T2	SI DIODE				Q7402	2SC2412K/RS/-X	TRANSISTOR		
	D8002	1SS133-T2	SI DIODE				Q7403	2SC2412K/RS/-X	TRANSISTOR		
	D8003	1SS133-T2	SI DIODE				Q7404	2SC2412K/RS/-X	TRANSISTOR		
	D8011	1SS133-T2	SI DIODE				Q7501	2SA1037AK/R/-X	TRANSISTOR		
	D8012	1SS133-T2	SI DIODE				Q7502	2SA1037AK/R/-X	TRANSISTOR		
	D8013	1SS133-T2	SI DIODE				Q7503	2SA1037AK/R/-X	TRANSISTOR		
	D8014	1SS133-T2	SI DIODE				Q7507	2SK209/G/-X	FET		
	D8015	1SS133-T2	SI DIODE				Q7508	2SK209/G/-X	FET		
	D8016	1SS133-T2	SI DIODE				Q7509	2SK209/G/-X	FET		
	D8017	1SS133-T2	SI DIODE				Q8061	2SC2668/O/-T	TRANSISTOR		
	D8018	1SS133-T2	SI DIODE				Q8062	2SC2668/O/-T	TRANSISTOR		
	D8019	1SS133-T2	SI DIODE				Q8093	2SC2412K/RS/-X	TRANSISTOR		
	D8101	MTZJ5.1C-T2	ZENER DIODE				Q8094	2SC2412K/RS/-X	TRANSISTOR		
	D8102	1SS133-T2	SI DIODE				Q8095	DTC114YKA-X	D.TRANSISTOR		
	D8103	1SS133-T2	SI DIODE				Q8101	DTC144EKA-X	TRANSISTOR		
	D9901	1SS133-T2	SI DIODE				Q8102	DTC114YKA-X	D.TRANSISTOR		
	EP002	QNZ0136-001Z	EARTH PLATE				Q8103	DTC144EKA-X	TRANSISTOR		
	EP003	QNZ0136-001Z	EARTH PLATE				Q9901	2SA1037AK/R/-X	TRANSISTOR		
	IC 1	LA1838	IC				Q9902	DTC114EKA-X	TRANSISTOR		
	IC 2	LC72136N	IC				Q9903	2SC2412K/RS/-X	TRANSISTOR		
	IC 3	LC72723	IC(RDS)				R 2	NRSA63J-331X	MG RESISTOR		
	IC431	PCM2702ED-X	IC				R 3	NRSA63J-224X	MG RESISTOR		
	IC721	GP1U271X	RM RECIVER				R 4	NRSA63J-331X	MG RESISTOR		
	IC801	MN101C49GJJ1	IC (MCU)				R 5	NRSA63J-560X	MG RESISTOR		
	J 1	QNB0014-001	ANT TERMINAL				R 6	NRSA63J-120X	MG RESISTOR		
	J4301	QNS0030-001	JACK				R 10	NRSA63J-222X	MG RESISTOR		
	J4302	QNZ0522-001	USB CONNECTOR				R 11	NRSA63J-472X	MG RESISTOR		
	J6301	QNN0018-002	PIN JACK				R 12	NRSA63J-472X	MG RESISTOR		
	K4301	QQR0621-001Z	FERRITE BEADS				R 13	NRSA63J-103X	MG RESISTOR		
	K4302	QQR0621-001Z	FERRITE BEADS				R 14	NRSA63J-104X	MG RESISTOR		
	K4303	NQR0269-004X	FERRITE BEADS				R 15	NRSA63J-332X	MG RESISTOR		
	K4304	NQR0269-004X	FERRITE BEADS				R 16	NRSA63J-472X	MG RESISTOR		
	K4305	NQR0269-004X	FERRITE BEADS			△	R 17	QRZ9005-680X	F.RESISTOR	68 1/4W	
	K4310	QQR0779-001Z	INDUCTOR				R 18	NRSA63J-102X	MG RESISTOR		
	K4311	QQR0779-001Z	INDUCTOR				R 19	NRSA63J-102X	MG RESISTOR		
	K4312	QQR0779-001Z	INDUCTOR				R 20	NRSA63J-102X	MG RESISTOR		
	K4313	QQR0779-001Z	INDUCTOR				R 21	NRSA63J-562X	MG RESISTOR		
	K4315	NQR0269-004X	FERRITE BEADS	FOR D-			R 22	NRSA63J-472X	MG RESISTOR		
	K4316	NQR0269-004X	FERRITE BEADS	FOR D+			R 23	NRSA63J-182X	MG RESISTOR		
	K4317	NQR0269-004X	FERRITE BEADS	FOR VBUS			R 24	NRSA63J-103X	MG RESISTOR		
	K4318	QQR0779-001Z	INDUCTOR				R 25	NRSA63J-331X	MG RESISTOR		
	L 1	QQR1094-001	COIL BLOCK				R 26	NRSA63J-222X	MG RESISTOR		
	L 2	QQL231K-330Y	INDUCTOR				R 27	NRSA63J-103X	MG RESISTOR		
	L 3	QQL231K-4R7Y	INDUCTOR				R 28	NRSA63J-103X	MG RESISTOR		
	L 70	QQL231K-101Y	INDUCTOR				R 29	NRSA63J-103X	MG RESISTOR		
	L6101	QQR0590-001	FILTER				R 30	NRSA63J-122X	MG RESISTOR		
	L6201	QQR0590-001	FILTER				R 31	NRSA63J-102X	MG RESISTOR		
	Q 1	2SC2814/4-5/-X	TRANSISTOR				R 32	NRSA63J-102X	MG RESISTOR		
	Q 2	2SC1623/5-6/-X	TRANSISTOR				R 33	NRSA63J-331X	MG RESISTOR		
	Q 3	2SC1623/5-6/-X	TRANSISTOR				R 34	NRSA63J-470X	MG RESISTOR		
	Q 4	DTA114YKA-X	TRANSISTOR				R 35	NRSA63J-562X	MG RESISTOR		
	Q 5	DTA114YKA-X	TRANSISTOR				R 36	NRSA63J-332X	MG RESISTOR		

■ Electrical parts list (Micon board)

Block No. 01

△	Item	Parts number	Parts name	Remarks	Area	△	Item	Parts number	Parts name	Remarks	Area
	R 37	NRSA63J-103X	MG RESISTOR				R7406	NRSA63J-391X	MG RESISTOR		
	R 38	NRSA63J-393X	MG RESISTOR				R7407	NRSA63J-391X	MG RESISTOR		
	R 39	NRSA63J-393X	MG RESISTOR				R7408	NRSA63J-391X	MG RESISTOR		
	R 40	NRSA63J-393X	MG RESISTOR				R7409	NRSA63J-391X	MG RESISTOR		
	R 41	NRSA63J-332X	MG RESISTOR				R7410	NRSA63J-103X	MG RESISTOR		
	R 60	NRSA63J-0R0X	MG RESISTOR				R7411	NRSA63J-222X	MG RESISTOR		
	R 70	NRSA02J-103X	MG RESISTOR				R7412	NRSA63J-222X	MG RESISTOR		
	R 71	NRSA02J-102X	MG RESISTOR				R7413	NRSA63J-102X	MG RESISTOR		
	R 72	NRSA02J-102X	MG RESISTOR				R7501	NRSA63J-103X	MG RESISTOR		
	R 73	NRSA02J-102X	MG RESISTOR				R7502	NRSA63J-103X	MG RESISTOR		
	R4101	NRSA02J-151X	MG RESISTOR				R7503	NRSA63J-103X	MG RESISTOR		
	R4201	NRSA02J-151X	MG RESISTOR				R7504	NRSA63J-475X	MG RESISTOR		
	R4312	NRSA63J-105X	MG RESISTOR				R7505	NRSA63J-475X	MG RESISTOR		
	R4313	NRSA63J-152X	MG RESISTOR				R7506	NRSA63J-475X	MG RESISTOR		
	R4314	NRSA63J-220X	MG RESISTOR				R7507	NRSA63J-475X	MG RESISTOR		
	R4315	NRSA63J-220X	MG RESISTOR				R7508	NRSA63J-475X	MG RESISTOR		
	R4317	NRSA63J-221X	MG RESISTOR				R7509	NRSA63J-475X	MG RESISTOR		
	R4318	NRSA63J-221X	MG RESISTOR				R7511	NRSA63J-153X	MG RESISTOR		
	R6101	NRSA63J-101X	MG RESISTOR				R7512	NRSA63J-472X	MG RESISTOR		
	R6103	NRSA63J-102X	MG RESISTOR				R7513	NRSA63J-103X	MG RESISTOR		
	R6104	NRSA63J-392X	MG RESISTOR				R7514	NRSA63J-203X	MG RESISTOR		
	R6105	NRSA63J-183X	MG RESISTOR				R8001	NRSA63J-222X	MG RESISTOR		
	R6106	NRSA63J-222X	MG RESISTOR				R8002	NRSA63J-222X	MG RESISTOR		
	R6111	NRSA63J-102X	MG RESISTOR				R8003	NRSA63J-102X	MG RESISTOR		
	R6112	NRSA63J-512X	MG RESISTOR				R8004	NRSA63J-102X	MG RESISTOR		
	R6114	NRSA63J-221X	MG RESISTOR				R8005	NRSA63J-102X	MG RESISTOR		
	R6132	NRSA63J-101X	MG RESISTOR				R8006	NRSA63J-102X	MG RESISTOR		
	R6201	NRSA63J-101X	MG RESISTOR				R8007	NRSA63J-102X	MG RESISTOR		
	R6203	NRSA63J-102X	MG RESISTOR				R8008	NRSA63J-102X	MG RESISTOR		
	R6204	NRSA63J-392X	MG RESISTOR				R8009	NRSA63J-102X	MG RESISTOR		
	R6205	NRSA63J-183X	MG RESISTOR				R8011	NRSA63J-222X	MG RESISTOR		
	R6206	NRSA63J-222X	MG RESISTOR				R8014	NRSA63J-102X	MG RESISTOR		
	R6211	NRSA63J-102X	MG RESISTOR				R8015	NRSA63J-102X	MG RESISTOR		
	R6212	NRSA63J-512X	MG RESISTOR				R8016	NRSA63J-101X	MG RESISTOR		
	R6214	NRSA63J-221X	MG RESISTOR				R8017	NRSA63J-102X	MG RESISTOR		
	R6232	NRSA63J-101X	MG RESISTOR				R8018	NRSA63J-102X	MG RESISTOR		
	R6311	NRSA63J-390X	MG RESISTOR				R8019	NRSA63J-102X	MG RESISTOR		
	R6312	NRSA63J-102X	MG RESISTOR				R8020	NRSA63J-101X	MG RESISTOR		
	R6313	NRSA63J-273X	MG RESISTOR				R8021	NRSA63J-101X	MG RESISTOR		
	R6320	NRSA63J-103X	MG RESISTOR				R8022	NRSA63J-101X	MG RESISTOR		
	R6321	NRSA63J-102X	MG RESISTOR				R8023	NRSA63J-222X	MG RESISTOR		
	R7002	NRSA63J-202X	MG RESISTOR				R8024	NRSA63J-222X	MG RESISTOR		
	R7003	NRSA63J-152X	MG RESISTOR				R8025	NRSA63J-102X	MG RESISTOR		
	R7004	NRSA63J-182X	MG RESISTOR				R8026	NRSA63J-102X	MG RESISTOR		
	R7005	NRSA63J-222X	MG RESISTOR				R8027	NRSA63J-101X	MG RESISTOR		
	R7006	NRSA63J-332X	MG RESISTOR				R8028	NRSA63J-101X	MG RESISTOR		
	R7007	NRSA63J-512X	MG RESISTOR				R8029	NRSA63J-101X	MG RESISTOR		
	R7102	NRSA63J-202X	MG RESISTOR				R8030	NRSA63J-101X	MG RESISTOR		
	R7103	NRSA63J-152X	MG RESISTOR				R8031	NRSA63J-101X	MG RESISTOR		
	R7104	NRSA63J-182X	MG RESISTOR				R8032	NRSA63J-101X	MG RESISTOR		
	R7105	NRSA63J-222X	MG RESISTOR				R8033	NRSA63J-102X	MG RESISTOR		
	R7106	NRSA63J-332X	MG RESISTOR				R8034	NRSA63J-102X	MG RESISTOR		
	R7107	NRSA63J-512X	MG RESISTOR				R8035	NRSA63J-222X	MG RESISTOR		
	R7301	NRSA63J-821X	MG RESISTOR				R8036	NRSA63J-222X	MG RESISTOR		
	R7302	NRSA63J-181X	MG RESISTOR				R8037	NRSA63J-222X	MG RESISTOR		
	R7303	NRSA63J-221X	MG RESISTOR				R8038	NRSA63J-222X	MG RESISTOR		
	R7304	NRSA63J-221X	MG RESISTOR				R8039	NRSA63J-222X	MG RESISTOR		
	R7305	NRSA63J-221X	MG RESISTOR				R8040	NRSA63J-222X	MG RESISTOR		
	R7401	NRSA63J-391X	MG RESISTOR				R8041	NRSA63J-222X	MG RESISTOR		
	R7402	NRSA63J-391X	MG RESISTOR				R8042	NRSA63J-222X	MG RESISTOR		
	R7403	NRSA63J-391X	MG RESISTOR				R8043	NRSA63J-222X	MG RESISTOR		
	R7404	NRSA63J-391X	MG RESISTOR				R8044	NRSA63J-222X	MG RESISTOR		
	R7405	NRSA63J-391X	MG RESISTOR				R8045	NRSA63J-222X	MG RESISTOR		

■ Electrical parts list (Micon board)

Block No. 01

△	Item	Parts number	Parts name	Remarks	Area
	R8046	NRSA63J-222X	MG RESISTOR		
	R8048	NRSA63J-222X	MG RESISTOR		
	R8049	NRSA63J-222X	MG RESISTOR		
	R8050	NRSA63J-122X	MG RESISTOR		
	R8051	NRSA63J-222X	MG RESISTOR		
	R8052	NRSA63J-102X	MG RESISTOR		
	R8053	NRSA63J-103X	MG RESISTOR		
	R8054	NRSA63J-102X	MG RESISTOR		
	R8061	NRSA63J-103X	MG RESISTOR		
	R8062	NRSA63J-822X	MG RESISTOR		
	R8063	NRSA63J-822X	MG RESISTOR		
	R8064	NRSA63J-103X	MG RESISTOR		
	R8065	NRSA63J-222X	MG RESISTOR		
	R8070	NRSA63J-103X	MG RESISTOR		
	R8071	NRSA63J-103X	MG RESISTOR		
	R8072	NRSA63J-470X	MG RESISTOR		
	R8074	NRSA63J-103X	MG RESISTOR		
	R8081	NRSA63J-103X	MG RESISTOR		
	R8084	NRSA63J-222X	MG RESISTOR		
	R8092	NRSA63J-104X	MG RESISTOR		
	R8093	NRSA63J-104X	MG RESISTOR		
	R8094	NRSA63J-103X	MG RESISTOR		
	R8095	NRSA63J-102X	MG RESISTOR		
	R8101	NRSA63J-103X	MG RESISTOR		
	R8102	NRSA63J-103X	MG RESISTOR		
	R8103	NRSA63J-104X	MG RESISTOR		
	R8106	NRSA63J-121X	MG RESISTOR		
	R9901	QRJ146J-680X	UNF C.RESISTOR	68 5% 1/4W	
	R9902	QRJ146J-680X	UNF C.RESISTOR	68 5% 1/4W	
	R9903	QRJ146J-680X	UNF C.RESISTOR	68 5% 1/4W	
	R9904	NRSA63J-103X	MG RESISTOR		
	R9905	NRSA63J-102X	MG RESISTOR		
	R9906	NRSA63J-561X	MG RESISTOR		
	R9907	NRSA63J-272X	MG RESISTOR		
	R9908	NRSA63J-102X	MG RESISTOR		
	S7001	QSW0651-001Z	TACT SWITCH	REC START	
	S7002	QSW0651-001Z	TACT SWITCH	<<	
	S7003	QSW0651-001Z	TACT SWITCH	STOP	
	S7004	QSW0651-001Z	TACT SWITCH	>>	
	S7005	QSW0651-001Z	TACT SWITCH	LINE/USB	
	S7006	QSW0651-001Z	TACT SWITCH	VOL UP	
	S7007	QSW0651-001Z	TACT SWITCH	VOL DOWN	
	S7101	QSW0651-001Z	TACT SWITCH	CD OPEN/CLOSE	
	S7102	QSW0651-001Z	TACT SWITCH	FM/AM	
	S7103	QSW0651-001Z	TACT SWITCH	CD PLAY	
	S7104	QSW0651-001Z	TACT SWITCH	MD PLAY	
	S7105	QSW0651-001Z	TACT SWITCH	REC LEVEL	
	S7106	QSW0651-001Z	TACT SWITCH	POWER	
	S7107	QSW0651-001Z	TACT SWITCH	MD EJECT	
	T 1	QQR0793-001	IFT		
	TU 1	QAU0160-001	FRONT END		
	VR761	QVP0008-503Z	SEMI.V.RESISTOR		
	W 391	QJK008-051600	SIN CR C-B WIRE	HEADPHONE-MAIN	
	W 691	QJK005-051601	SIN CR C-B WIRE	USB -MICOM	
	X 1	QAX0402-001	CRYSTAL		
	X 70	QAX0263-001Z	CRYSTAL		
	X4301	QAX0320-001Z	CRYSTAL		
	X8061	QAX0416-001Z	CERA LOCK	8.00MHZ	
	X8071	QAX0401-001	CRYSTAL		

■ Electrical parts list (Main board)

Block No. 02

△	Item	Parts number	Parts name	Remarks	Area	△	Item	Parts number	Parts name	Remarks	Area
	CN301	QGA2501C3-05Z	CONNECTOR				C1228	QETN1HM-106Z	E CAPACITOR	10MF 20% 50V	
	CN511	QGF1016F3-21	FFC/FPC CONNE				C1229	QETN1HM-106Z	E CAPACITOR	10MF 20% 50V	
	CN512	QGF1016C1-08	CONNECTOR				C1230	QFVF1HJ-334Z	MF CAPACITOR	.33MF 5% 50V	
	CN661	QGF1016F3-19	FFC/FPC CONNE				C1231	QFVF1HJ-334Z	MF CAPACITOR	.33MF 5% 50V	
	CN691	QGF1016C1-08	CONNECTOR				C1234	QETN1EM-106Z	E CAPACITOR	10MF 20% 25V	
	CN693	QGB2016J1-06	CONNECTOR				C1241	QEK1EM-106Z	E CAPACITOR	10MF 20% 25V	
	CN694	QGB2016J1-11	CONNECTOR				C1242	QCBB1HK-222Y	C CAPACITOR	2200PF 10% 50V	
	CN695	QGF1205F1-21	CONNECTOR				C1261	QENC1EM-106Z	NP E.CAPACITOR	10MF 20% 25V	
	CN901	QGB2016K1-11	CONNECTOR				C3001	QCBB1HK-103Y	C CAPACITOR	.010MF 10% 50V	
	CN903	QGA2501F1-02	CONNECTOR				C3003	QCBB1HK-103Y	C CAPACITOR	.010MF 10% 50V	
	CN904	QGB2510J1-09	CONNECTOR				C3004	QCBB1HK-471Y	C CAPACITOR	470PF 10% 50V	
△	CN921	QGA7901C1-02	CONNECTOR				C3005	QCBB1HK-471Y	C CAPACITOR	470PF 10% 50V	
	CN991	QGB2016J1-11	CONNECTOR				C3101	QETN1CM-107Z	E CAPACITOR	100MF 20% 16V	
	CN994	QGB2510K2-09	CONNECTOR				C3102	QTE1C28-226Z	E CAPACITOR		
	CN995	QGA2501F1-13	13P CONNECTOR				C3103	QFVF1HJ-104Z	MF CAPACITOR	.10MF 5% 50V	
	C1101	QETN1HM-106Z	E CAPACITOR	10MF 20% 50V			C3104	QETN1EM-106Z	E CAPACITOR	10MF 20% 25V	
	C1102	QFLC1HJ-823Z	M CAPACITOR	.082MF 5% 50V			C3105	QTE1C06-107Z	E CAPACITOR		
	C1103	QFLC1HJ-823Z	M CAPACITOR	.082MF 5% 50V			C3106	QETN1HM-225Z	E CAPACITOR	2.2MF 20% 50V	
	C1104	QFVF1HJ-474Z	MF CAPACITOR	.47MF 5% 50V			C3107	QETN1HM-336Z	E CAPACITOR	33MF 20% 50V	
	C1105	QFVF1HJ-105Z	MF CAPACITOR	1.0MF 5% 50V			C3108	QETN1HM-474Z	E CAPACITOR	.47MF 20% 50V	
	C1106	QFVF1HJ-104Z	MF CAPACITOR	.10MF 5% 50V			C3113	QETN1CM-107Z	E CAPACITOR	100MF 20% 16V	
	C1107	QFVF1HJ-104Z	MF CAPACITOR	.10MF 5% 50V			C3114	QCZ0202-155Z	ML C CAPACITOR	1.5MF	
	C1108	QFLC1HJ-122Z	M CAPACITOR	1200PF 5% 50V			C3115	QETN1HM-106Z	E CAPACITOR	10MF 20% 50V	
	C1111	QETN1HM-105Z	E CAPACITOR	1.0MF 20% 50V			C3116	QER61HM-105Z	E CAPACITOR	1.0MF 20% 50V	
	C1112	QETN1EM-106Z	E CAPACITOR	10MF 20% 25V			C3131	QETM1CM-477	E CAPACITOR	470MF 20% 16V	
	C1113	QETN1EM-106Z	E CAPACITOR	10MF 20% 25V			C3151	QETN1CM-227Z	E CAPACITOR	220MF 20% 16V	
	C1114	QTE1V06-106Z	E CAPACITOR				C3152	QCBB1HK-471Y	C CAPACITOR	470PF 10% 50V	
	C1115	QETN1EM-106Z	E CAPACITOR	10MF 20% 25V			C3153	QCBB1HK-103Y	C CAPACITOR	.010MF 10% 50V	
	C1116	QETN1EM-106Z	E CAPACITOR	10MF 20% 25V			C3182	QTE1V06-106Z	E CAPACITOR		
	C1122	QTE1V06-106Z	E CAPACITOR				C3183	QTE1C06-476Z	E CAPACITOR		
	C1123	QCBB1HK-221Y	C CAPACITOR	220PF 10% 50V			C3190	QETM1EM-828	E CAPACITOR	8200MF 20% 25V	
	C1124	QFLC1HJ-104Z	M CAPACITOR	.10MF 5% 50V			C3191	QCBB1HK-221Y	C CAPACITOR	220PF 10% 50V	
	C1125	QFLC1HJ-104Z	M CAPACITOR	.10MF 5% 50V			C3192	QCBB1HK-221Y	C CAPACITOR	220PF 10% 50V	
	C1126	QCBB1HK-221Y	C CAPACITOR	220PF 10% 50V			C3193	QCBB1HK-103Y	C CAPACITOR	.010MF 10% 50V	
	C1127	QDXB1CM-332Y	C CAPACITOR				C3194	QEK1EM-476Z	E CAPACITOR	47MF 20% 25V	
	C1128	QETN1HM-106Z	E CAPACITOR	10MF 20% 50V			C3197	QCBB1HK-151Y	C CAPACITOR	150PF 10% 50V	
	C1129	QETN1HM-106Z	E CAPACITOR	10MF 20% 50V			C3198	QTE1V06-476Z	E CAPACITOR		
	C1130	QFVF1HJ-334Z	MF CAPACITOR	.33MF 5% 50V			C3222	QETN1EM-476Z	E CAPACITOR	47MF 20% 25V	
	C1131	QFVF1HJ-334Z	MF CAPACITOR	.33MF 5% 50V			C3511	QETN1HM-475Z	E CAPACITOR	4.7MF 20% 50V	
	C1134	QETN1EM-106Z	E CAPACITOR	10MF 20% 25V		△	C9101	QCZ9105-472	C CAPACITOR	4700PF	
	C1141	QEK1EM-106Z	E CAPACITOR	10MF 20% 25V			C9102	QETM1EM-108	E CAPACITOR	1000MF 20% 25V	
	C1142	QCBB1HK-222Y	C CAPACITOR	2200PF 10% 50V			C9103	QETN1AM-107Z	E CAPACITOR	100MF 20% 10V	
	C1161	QENC1EM-106Z	NP E.CAPACITOR	10MF 20% 25V			C9201	QFLC1HJ-104Z	M CAPACITOR	.10MF 5% 50V	
	C1201	QETN1HM-106Z	E CAPACITOR	10MF 20% 50V			C9202	QFLC1HJ-104Z	M CAPACITOR	.10MF 5% 50V	
	C1202	QFLC1HJ-823Z	M CAPACITOR	.082MF 5% 50V			C9203	QFLC1HJ-104Z	M CAPACITOR	.10MF 5% 50V	
	C1203	QFLC1HJ-823Z	M CAPACITOR	.082MF 5% 50V			C9204	QFLC1HJ-104Z	M CAPACITOR	.10MF 5% 50V	
	C1204	QFVF1HJ-474Z	MF CAPACITOR	.47MF 5% 50V			C9205	QFLC1HJ-223Z	M CAPACITOR	.022MF 5% 50V	
	C1205	QFVF1HJ-105Z	MF CAPACITOR	1.0MF 5% 50V			C9206	QCBB1HK-221Y	C CAPACITOR	220PF 10% 50V	
	C1206	QFVF1HJ-104Z	MF CAPACITOR	.10MF 5% 50V			C9207	QCBB1HK-103Y	C CAPACITOR	.010MF 10% 50V	
	C1207	QFVF1HJ-104Z	MF CAPACITOR	.10MF 5% 50V			C9208	QETN1EM-476Z	E CAPACITOR	47MF 20% 25V	
	C1208	QFLC1HJ-122Z	M CAPACITOR	1200PF 5% 50V			C9209	QCBB1HK-223Y	C CAPACITOR	.022MF 10% 50V	
	C1211	QETN1HM-105Z	E CAPACITOR	1.0MF 20% 50V			C9301	QCBB1HK-223Y	C CAPACITOR	.022MF 10% 50V	
	C1212	QETN1EM-106Z	E CAPACITOR	10MF 20% 25V			C9302	QFLC1HJ-104Z	M CAPACITOR	.10MF 5% 50V	
	C1213	QETN1EM-106Z	E CAPACITOR	10MF 20% 25V			C9305	QFLC1HJ-104Z	M CAPACITOR	.10MF 5% 50V	
	C1214	QTE1V06-106Z	E CAPACITOR				C9307	QETM1CM-228	E CAPACITOR	2200MF 20% 16V	
	C1215	QETN1EM-106Z	E CAPACITOR	10MF 20% 25V			C9308	QETM1CM-228	E CAPACITOR	2200MF 20% 16V	
	C1216	QETN1EM-106Z	E CAPACITOR	10MF 20% 25V			C9601	QCBB1HK-221Y	C CAPACITOR	220PF 10% 50V	
	C1222	QTE1V06-106Z	E CAPACITOR				C9602	QCBB1HK-103Y	C CAPACITOR	.010MF 10% 50V	
	C1223	QCBB1HK-221Y	C CAPACITOR	220PF 10% 50V			C9603	QETN1CM-107Z	E CAPACITOR	100MF 20% 16V	
	C1224	QFLC1HJ-104Z	M CAPACITOR	.10MF 5% 50V			C9701	QCBB1HK-151Y	C CAPACITOR	150PF 10% 50V	
	C1225	QFLC1HJ-104Z	M CAPACITOR	.10MF 5% 50V			C9702	QETN1CM-106Z	E CAPACITOR	10MF 20% 16V	
	C1226	QCBB1HK-221Y	C CAPACITOR	220PF 10% 50V			C9703	QETN1CM-476Z	E CAPACITOR	47MF 20% 16V	
	C1227	QDXB1CM-332Y	C CAPACITOR				C9801	QETN1CM-106Z	E CAPACITOR	10MF 20% 16V	

■ Electrical parts list (Main board)

Block No. 02

△	Item	Parts number	Parts name	Remarks	Area	△	Item	Parts number	Parts name	Remarks	Area
	D1101	1SS133-T2	SI DIODE				Q1101	KTC3199/GL/-T	TRANSISTOR		
	D1102	1SS133-T2	SI DIODE				Q1161	KRA109M-T	D.TRANSISTOR		
	D1201	1SS133-T2	SI DIODE				Q1162	KRA109M-T	D.TRANSISTOR		
	D1202	1SS133-T2	SI DIODE				Q1201	KTC3199/GL/-T	TRANSISTOR		
	D3105	MTZJ6.8B-T2	ZENER DIODE				Q1261	KRA109M-T	D.TRANSISTOR		
	D3106	1SS133-T2	SI DIODE				Q1262	KRA109M-T	D.TRANSISTOR		
	D3107	1SS133-T2	SI DIODE				Q2001	2SC3576-JVC-T	TRANSISTOR		
	D3181	MTZJ3.3B-T2	ZENER DIODE				Q3001	KRA101M-T	TRANSISTOR		
	D3191	MTZJ9.1A-T2	ZENER DIODE				Q3181	KTA1273/Y/-T	TRANSISTOR		
	D3321	1SS133-T2	SI DIODE				Q3182	2SC2785/FE/-T	TRANSISTOR		
	D9101	1SS133-T2	SI DIODE			△	Q3191	KTA1046/Y/	TRANSISTOR		
	D9102	1SS133-T2	SI DIODE				Q3192	2SC2785/FE/-T	TRANSISTOR		
	D9103	1N4003S-T5	SI DIODE				Q3193	2SC2785/FE/-T	TRANSISTOR		
	D9104	MTZJ5.6A-T2	ZENER DIODE				Q3194	KRA102M-T	D.TRANSISTOR		
	D9105	1SS133-T2	SI DIODE				Q3511	KRC109M-T	D.TRANSISTOR		
△	D9201	D5SBA20-S1	SI DIODE				Q9101	KTA1046/Y/	TRANSISTOR		
	D9202	MTZJ8.2B-T2	DIODE				Q9102	2SC2785/FE/-T	TRANSISTOR		
△	D9301	1N4003S-T5	SI DIODE				Q9103	2SC2785/FE/-T	TRANSISTOR		
△	D9302	1N4003S-T5	SI DIODE				Q9104	2SC2785/FE/-T	TRANSISTOR		
△	D9303	1N4003S-T5	SI DIODE			△	Q9201	KTB772/Y/	TRANSISTOR		
△	D9304	1N4003S-T5	SI DIODE				Q9202	2SC2785/FE/-T	TRANSISTOR		
△	D9305	1N4003S-T5	SI DIODE				Q9203	2SC2785/FE/-T	TRANSISTOR		
△	D9306	1N4003S-T5	SI DIODE			△	Q9601	KTB772/Y/	TRANSISTOR		
△	D9307	1N4003S-T5	SI DIODE				Q9602	2SC2785/FE/-T	TRANSISTOR		
△	D9308	1N4003S-T5	SI DIODE				Q9603	2SC2785/FE/-T	TRANSISTOR		
△	D9309	1N4003S-T5	SI DIODE				Q9604	KRA102M-T	D.TRANSISTOR		
△	D9310	1N4003S-T5	SI DIODE			△	Q9701	KTB772/Y/	TRANSISTOR		
	D9601	MTZJ5.1C-T2	ZENER DIODE				Q9702	2SC2785/FE/-T	TRANSISTOR		
	D9602	MTZJ6.2B-T2	ZENER DIODE				Q9703	KRA102M-T	D.TRANSISTOR		
	D9701	MTZJ6.2C-T2	Z DIODE				Q9801	2SA952/LK/-T	TRANSISTOR		
	EP301	QNZ0136-001Z	EARTH PLATE				Q9802	2SC2785/FE/-T	TRANSISTOR		
△	FT901	QNG0003-001Z	FUSE CLIP	FOR F9001		△	RY911	QSK0124-001	RELAY		
△	FT902	QNG0003-001Z	FUSE CLIP	FOR F9001			R1101	QRE141J-182Y	C RESISTOR	1.8K 5% 1/4W	
△	FT903	QNG0003-001Z	FUSE CLIP	FOR F9002			R1102	QRE141J-182Y	C RESISTOR	1.8K 5% 1/4W	
△	FT904	QNG0003-001Z	FUSE CLIP	FOR F9002			R1103	QRE141J-153Y	C RESISTOR	15K 5% 1/4W	
△	FT909	QNG0003-001Z	FUSE CLIP	FOR F9001			R1104	QRE141J-332Y	C RESISTOR	3.3K 5% 1/4W	
△	FT910	QNG0003-001Z	FUSE CLIP	FOR F9001			R1105	QRE141J-752Y	C RESISTOR	7.5K 5% 1/4W	
△	IC301	LA4628	IC				R1106	QRE141J-224Y	C RESISTOR	220K 5% 1/4W	
	IC302	LC75345M-X	IC				R1120	QRE141J-274Y	C RESISTOR	270K 5% 1/4W	
	J3001	QNB0090-001	SPK TERMINAL				R1121	QRE141J-103Y	C RESISTOR	10K 5% 1/4W	
	J3321	GP1FA550RZ	OPT RECEIVER				R1122	QRE141J-183Y	C RESISTOR	18K 5% 1/4W	
△	J9001	QNC0081-001	AC INLET				R1123	QRE141J-102Y	C RESISTOR	1.0K 5% 1/4W	
	K3131	QQR0621-001Z	FERRITE BEADS	AGND			R1124	QRE141J-2R2Y	C RESISTOR	2.2 5% 1/4W	
	K3137	QQR0621-001Z	FERRITE BEADS	MGND			R1125	QRE141J-2R2Y	C RESISTOR	2.2 5% 1/4W	
	K3151	QQR0621-001Z	FERRITE BEADS	D+5V			R1126	QRE141J-222Y	C RESISTOR	2.2K 5% 1/4W	
	K3152	QQR0621-001Z	FERRITE BEADS	DGND			R1127	QRE141J-222Y	C RESISTOR	2.2K 5% 1/4W	
	K3153	QQR0621-001Z	FERRITE BEADS	AGND			R1128	QRE141J-471Y	C RESISTOR	470 5% 1/4W	
	K3154	QQR0621-001Z	FERRITE BEADS	MGND			R1129	QRE141J-152Y	C RESISTOR	1.5K 5% 1/4W	
	K5001	QQR0621-001Z	FERRITE BEADS				R1130	QRE141J-152Y	C RESISTOR	1.5K 5% 1/4W	
	K5002	QQR0621-001Z	FERRITE BEADS				R1133	QRE141J-102Y	C RESISTOR	1.0K 5% 1/4W	
	K5003	QQR0621-001Z	FERRITE BEADS				R1134	QRE141J-472Y	C RESISTOR	4.7K 5% 1/4W	
	K5004	QQR0621-001Z	FERRITE BEADS				R1142	QRE141J-102Y	C RESISTOR	1.0K 5% 1/4W	
	K5005	QQR0621-001Z	FERRITE BEADS				R1143	QRE141J-101Y	C RESISTOR	100 5% 1/4W	
	K5006	QQR0621-001Z	FERRITE BEADS				R1144	QRE141J-221Y	C RESISTOR	220 5% 1/4W	
	K5007	QQR0621-001Z	FERRITE BEADS				R1151	QRE141J-221Y	C RESISTOR	220 5% 1/4W	
	K5008	QQR0621-001Z	FERRITE BEADS				R1161	QRE141J-562Y	C RESISTOR	5.6K 5% 1/4W	
	LF111	QQR0797-001	INDUCTOR				R1162	QRE141J-562Y	C RESISTOR	5.6K 5% 1/4W	
	LF121	QQR0797-001	INDUCTOR				R1201	QRE141J-182Y	C RESISTOR	1.8K 5% 1/4W	
△	LF901	QQR1145-001	LINE FILTER				R1202	QRE141J-182Y	C RESISTOR	1.8K 5% 1/4W	
	L3151	QQL244K-100Z	INDUCTOR				R1203	QRE141J-153Y	C RESISTOR	15K 5% 1/4W	
	L3152	QQL244K-100Z	INDUCTOR				R1204	QRE141J-332Y	C RESISTOR	3.3K 5% 1/4W	
	L3321	QQL231K-4R7Y	INDUCTOR				R1205	QRE141J-752Y	C RESISTOR	7.5K 5% 1/4W	
	Q1001	2SC3576-JVC-T	TRANSISTOR				R1206	QRE141J-224Y	C RESISTOR	220K 5% 1/4W	

■ Electrical parts list (Main board)

Block No. 02

△	Item	Parts number	Parts name	Remarks	Area	△	Item	Parts number	Parts name	Remarks	Area
	R1220	QRE141J-274Y	C RESISTOR	270K 5% 1/4W			R9104	QRE141J-332Y	C RESISTOR	3.3K 5% 1/4W	
	R1221	QRE141J-103Y	C RESISTOR	10K 5% 1/4W			R9105	QRE141J-102Y	C RESISTOR	1.0K 5% 1/4W	
	R1222	QRE141J-183Y	C RESISTOR	18K 5% 1/4W			R9106	QRE141J-102Y	C RESISTOR	1.0K 5% 1/4W	
	R1223	QRE141J-102Y	C RESISTOR	1.0K 5% 1/4W			R9201	QRE141J-681Y	C RESISTOR	680 5% 1/4W	
	R1224	QRE141J-2R2Y	C RESISTOR	2.2 5% 1/4W			R9202	QRE141J-681Y	C RESISTOR	680 5% 1/4W	
	R1225	QRE141J-2R2Y	C RESISTOR	2.2 5% 1/4W			R9203	QRE141J-681Y	C RESISTOR	680 5% 1/4W	
	R1226	QRE141J-222Y	C RESISTOR	2.2K 5% 1/4W			R9204	QRE141J-681Y	C RESISTOR	680 5% 1/4W	
	R1227	QRE141J-222Y	C RESISTOR	2.2K 5% 1/4W			R9205	QRE141J-472Y	C RESISTOR	4.7K 5% 1/4W	
	R1228	QRE141J-471Y	C RESISTOR	470 5% 1/4W			R9206	QRE141J-272Y	C RESISTOR	2.7K 5% 1/4W	
	R1229	QRE141J-152Y	C RESISTOR	1.5K 5% 1/4W			R9207	QRE141J-681Y	C RESISTOR	680 5% 1/4W	
	R1230	QRE141J-152Y	C RESISTOR	1.5K 5% 1/4W			R9301	QRE141J-223Y	C RESISTOR	22K 5% 1/4W	
	R1233	QRE141J-102Y	C RESISTOR	1.0K 5% 1/4W			R9601	QRE141J-221Y	C RESISTOR	220 5% 1/4W	
	R1234	QRE141J-472Y	C RESISTOR	4.7K 5% 1/4W			R9602	QRE141J-221Y	C RESISTOR	220 5% 1/4W	
	R1242	QRE141J-102Y	C RESISTOR	1.0K 5% 1/4W			R9603	QRE141J-471Y	C RESISTOR	470 5% 1/4W	
	R1243	QRE141J-101Y	C RESISTOR	100 5% 1/4W			R9604	QRE141J-472Y	C RESISTOR	4.7K 5% 1/4W	
	R1244	QRE141J-221Y	C RESISTOR	220 5% 1/4W			R9605	QRE141J-272Y	C RESISTOR	2.7K 5% 1/4W	
	R1251	QRE141J-221Y	C RESISTOR	220 5% 1/4W			R9606	QRE141J-681Y	C RESISTOR	680 5% 1/4W	
	R1261	QRE141J-562Y	C RESISTOR	5.6K 5% 1/4W			R9607	QRJ146J-1R0X	UNF C.RESISTOR	1.0 5% 1/4W	
	R1262	QRE141J-562Y	C RESISTOR	5.6K 5% 1/4W			R9608	QRJ146J-1R0X	UNF C.RESISTOR	1.0 5% 1/4W	
	R3101	QRE141J-222Y	C RESISTOR	2.2K 5% 1/4W			R9701	QRE141J-221Y	C RESISTOR	220 5% 1/4W	
	R3102	QRE141J-222Y	C RESISTOR	2.2K 5% 1/4W			R9702	QRE141J-221Y	C RESISTOR	220 5% 1/4W	
	R3103	QRE141J-222Y	C RESISTOR	2.2K 5% 1/4W			R9703	QRE141J-183Y	C RESISTOR	18K 5% 1/4W	
	R3106	QRE141J-103Y	C RESISTOR	10K 5% 1/4W			R9704	QRE141J-822Y	C RESISTOR	8.2K 5% 1/4W	
	R3110	QRE141J-513Y	C RESISTOR	51K 5% 1/4W			R9705	QRJ146J-1R0X	UNF C.RESISTOR	1.0 5% 1/4W	
	R3111	QRJ146J-4R7X	UNF C.RESISTOR	4.7 5% 1/4W			R9706	QRJ146J-1R0X	UNF C.RESISTOR	1.0 5% 1/4W	
	R3112	QRE141J-104Y	C RESISTOR	100K 5% 1/4W			R9801	QRE141J-102Y	C RESISTOR	1.0K 5% 1/4W	
	R3113	QRE141J-103Y	C RESISTOR	10K 5% 1/4W		△	T9102	QQT0253-002	POWER TRANS		
	R3132	QRE141J-101Y	C RESISTOR	100 5% 1/4W			W 905	WJK0124-001A	SIN CR C-B WIRE	TRANS 2ND-REG P	
	R3133	QRE141J-101Y	C RESISTOR	100 5% 1/4W		△	W 911	WJK0123-001A	SIN CR C-B WIRE	TRANS PRIM-AC I	
	R3134	QRE141J-101Y	C RESISTOR	100 5% 1/4W							
	R3135	QRJ146J-1R0X	UNF C.RESISTOR	1.0 5% 1/4W							
	R3136	QRJ146J-1R0X	UNF C.RESISTOR	1.0 5% 1/4W							
	R3151	QRE141J-101Y	C RESISTOR	100 5% 1/4W							
	R3152	QRE141J-101Y	C RESISTOR	100 5% 1/4W							
	R3153	QRE141J-101Y	C RESISTOR	100 5% 1/4W							
	R3154	QRE141J-101Y	C RESISTOR	100 5% 1/4W							
	R3155	QRE141J-101Y	C RESISTOR	100 5% 1/4W							
	R3156	QRE141J-101Y	C RESISTOR	100 5% 1/4W							
	R3181	QRE141J-102Y	C RESISTOR	1.0K 5% 1/4W							
	R3182	QRE141J-153Y	C RESISTOR	15K 5% 1/4W							
	R3183	QRE141J-103Y	C RESISTOR	10K 5% 1/4W							
	R3191	QRE141J-471Y	C RESISTOR	470 5% 1/4W							
	R3192	QRE141J-682Y	C RESISTOR	6.8K 5% 1/4W							
	R3193	QRE141J-472Y	C RESISTOR	4.7K 5% 1/4W							
	R3194	QRE141J-222Y	C RESISTOR	2.2K 5% 1/4W							
	R3195	QRE141J-681Y	C RESISTOR	680 5% 1/4W							
	R3196	QRE141J-681Y	C RESISTOR	680 5% 1/4W							
	R3197	QRE141J-681Y	C RESISTOR	680 5% 1/4W							
	R3199	QRJ146J-2R2X	UNF C.RESISTOR	2.2 5% 1/4W							
	R3301	QRE141J-513Y	C RESISTOR	51K 5% 1/4W							
	R3302	QRE141J-683Y	C RESISTOR	68K 5% 1/4W							
	R3303	QRE141J-273Y	C RESISTOR	27K 5% 1/4W							
	R3304	QRE141J-683Y	C RESISTOR	68K 5% 1/4W							
	R3305	QRE141J-473Y	C RESISTOR	47K 5% 1/4W							
	R3306	QRE141J-683Y	C RESISTOR	68K 5% 1/4W							
	R3321	QRE141J-101Y	C RESISTOR	100 5% 1/4W							
	R5101	QRE141J-333Y	C RESISTOR	33K 5% 1/4W							
	R5102	QRE141J-473Y	C RESISTOR	47K 5% 1/4W							
	R5201	QRE141J-333Y	C RESISTOR	33K 5% 1/4W							
	R5202	QRE141J-473Y	C RESISTOR	47K 5% 1/4W							
	R9101	QRE141J-103Y	C RESISTOR	10K 5% 1/4W							
	R9102	QRE141J-102Y	C RESISTOR	1.0K 5% 1/4W							
	R9103	QRE141J-222Y	C RESISTOR	2.2K 5% 1/4W							

■ Electrical parts list (CD servo board)

Block No. 03

△	Item	Parts number	Parts name	Remarks	Area
	C 254	QERF1AM-476Z	E CAPACITOR	47MF 20% 10V	
	C 255	NCB31CK-104X	C CAPACITOR		
	C 256	NCB31CK-104X	C CAPACITOR		
	C 271	NCS31HJ-101X	C.CAPA. C.M		
	C 272	NCS31HJ-101X	C.CAPA. C.M		
	C 273	NCB31CK-104X	C CAPACITOR		
	C 291	NCB21CK-105X	C CAPACITOR		
	C 292	NCB21CK-105X	C CAPACITOR		
	C 601	NCB31HK-102X	C CAPACITOR		
	C 602	NCB31HK-102X	C CAPACITOR		
	C 603	NCB31EK-223X	C CAPACITOR		
	C 604	NCB31EK-223X	C CAPACITOR		
	C 605	NCS31HJ-271X	C CAPACITOR		
	C 606	NCS31HJ-820X	C CAPACITOR		
	C 610	NCB31CK-563X	C CAPACITOR		
	C 611	NCB21CK-104X	C.CAPA. C.M		
	C 612	QEK1HM-104Z	E CAPACITOR	.10MF 20% 50V	
	C 614	NCB31CK-393X	C CAPACITOR		
	C 615	NCB31HK-272X	C CAPACITOR		
	C 616	NCB31HK-681X	C CAPACITOR		
	C 617	NCB31HK-331X	C CAPACITOR		
	C 621	NCB31CK-104X	C CAPACITOR		
	C 622	QEK0JM-107Z	E CAPACITOR	100MF 20% 6.3V	
	C 623	NCF21CZ-105X	C CAPACITOR		
	C 624	QEK0JM-107Z	E CAPACITOR	100MF 20% 6.3V	
	C 631	QEK1CM-106Z	E CAPACITOR	10MF 20% 16V	
	C 632	NCF21CZ-105X	C CAPACITOR		
	C 633	NCB31EK-223X	C CAPACITOR		
	C 651	NCS31HJ-1R0X	C.CAPA. C.M		
	C 652	NCS31HJ-1R0X	C.CAPA. C.M		
	C 653	NCB31AK-334X	C.CAPA. C.M		
	C 655	NCB31CK-104X	C CAPACITOR		
	C 656	NCB31CK-104X	C CAPACITOR		
	C 657	QEK0JM-107Z	E CAPACITOR	100MF 20% 6.3V	
	C 658	NCB31CK-104X	C CAPACITOR		
	C 661	NCS31HJ-471X	C CAPACITOR		
	C 663	NCB31EK-223X	C CAPACITOR		
	C 664	NCB31EK-223X	C CAPACITOR		
	C 665	NCB21CK-154X	C.CAPACITOR		
	C 667	NCB21CK-474X	C CAPACITOR		
	C 668	NCB31CK-473X	C CAPACITOR		
	C 673	QER60JM-107Z	E CAPACITOR	100MF 20% 6.3V	
	C 676	NCB31CK-104X	C CAPACITOR		
	C 677	NCB31CK-104X	C CAPACITOR		
	C 678	NCB31CK-104X	C CAPACITOR		
	C 679	QEK0JM-107Z	E CAPACITOR	100MF 20% 6.3V	
	C 680	NCB31CK-104X	C CAPACITOR		
	C 681	NCS31HJ-6R0X	C CAPACITOR		
	C 682	NCS31HJ-150X	C CAPACITOR		
	C 683	NCS31HJ-220X	C CAPACITOR		
	C 801	NCB31EK-223X	C CAPACITOR		
	C 802	NCS31HJ-102X	C CAPACITOR		
	C 811	NCS31HJ-391X	C CAPACITOR		
	C 812	NCS31HJ-391X	C CAPACITOR		
	C 813	NCS31HJ-391X	C CAPACITOR		
	C 814	NCS31HJ-391X	C CAPACITOR		
	C 815	NCB21AK-105X	C CAPACITOR		
	C 816	NCB20JK-155X	C.CAPA. C.M		
	C 817	NCF21CZ-105X	C CAPACITOR		
	C 818	NCF21CZ-105X	C CAPACITOR		
	C 821	NCF21CZ-105X	C CAPACITOR		
	C 822	QERF1AM-227Z	E CAPACITOR	220MF 20% 10V	
	C 861	NCB31HK-102X	C CAPACITOR		

△	Item	Parts number	Parts name	Remarks	Area
	C 862	NCB31HK-102X	C CAPACITOR		
	C 863	NCB31HK-272X	C CAPACITOR		
	C 864	NCB31HK-272X	C CAPACITOR		
	CN601	QGF1037F1-15W	CONNECTOR	PICK UP/TR.MECH	
	CN605	QGF1016F2-04W	CONNECTOR	CD TEXT	
	CN606	QGF1016F2-08W	CONNECTOR	4T I/F	
	CN651	QGF1016F3-19	CONNECTOR	MAIN	
	D 251	DA204U-X	DIODE		
	D 292	MA112-X	DIODE		
	D 603	1SS355-X	DIODE C.M		
	HL251	VYH7653-002	IC HOLDER	FOR IC251	
	IC251	UPD780024AGKB21	IC	MICOM	
	IC291	XC62HR3502P-X	IC	3.5VREG	
	IC601	AN22000A-W	I.C. C.M	RF AMP	
	IC651	MN662790RSC	IC	DSP & DAC	
	IC801	LA6541-X	IC	PU DRIVE	
	K 655	NQR0007-002X	FERRITE BEADS	TX	
	K 656	NQR0251-004X	FERRITE BEADS	SRDATA	
	K 657	NQR0251-004X	FERRITE BEADS	LRCK	
	K 658	NQR0251-004X	FERRITE BEADS	BCLK	
	Q 631	2SA1037AK/RS/-X	TRANSISTOR	APC	
	Q 651	DTC114EUA-X	TRANSISTOR		
	Q 652	DTC114EUA-X	TRANSISTOR	RF EQ	
	Q 673	DTA114EKA-X	DIGITAL.TRANSIS	IREF CHANGE	
	R 251	NRSA63J-102X	MG RESISTOR		
	R 252	NRSA63J-102X	MG RESISTOR		
	R 253	NRSA63J-102X	MG RESISTOR		
	R 254	NRSA63J-102X	MG RESISTOR		
	R 255	NRSA63J-102X	MG RESISTOR		
	R 256	NRSA63J-102X	MG RESISTOR		
	R 257	NRSA63J-102X	MG RESISTOR		
	R 258	NRSA63J-102X	MG RESISTOR		
	R 259	NRSA63J-102X	MG RESISTOR		
	R 260	NRSA63J-102X	MG RESISTOR		
	R 261	NRSA63J-0R0X	MG RESISTOR		
	R 262	NRSA63J-102X	MG RESISTOR		
	R 263	NRSA63J-102X	MG RESISTOR		
	R 264	NRSA63J-103X	MG RESISTOR		
	R 265	NRSA63J-183X	MG RESISTOR		
	R 271	NRSA63J-103X	MG RESISTOR		
	R 272	NRSA63J-103X	MG RESISTOR		
	R 273	NRSA63J-103X	MG RESISTOR		
	R 274	NRSA63J-682X	MG RESISTOR		
	R 275	NRSA63J-103X	MG RESISTOR		
	R 281	NRSA63J-102X	MG RESISTOR		
	R 282	NRSA63J-102X	MG RESISTOR		
	R 283	NRSA63J-101X	MG RESISTOR		
	R 284	NRSA63J-102X	MG RESISTOR		
	R 285	NRSA63J-102X	MG RESISTOR		
	R 291	NRSA63J-103X	MG RESISTOR		
	R 292	NRSA63J-1R0X	MG RESISTOR		
	R 293	NRSA63J-1R0X	MG RESISTOR		
	R 601	NRSA63J-224X	MG RESISTOR		
	R 602	NRSA63J-823X	MG RESISTOR		
	R 603	NRSA63J-393X	MG RESISTOR		
	R 604	NRSA63J-224X	MG RESISTOR		
	R 607	NRSA63J-473X	MG RESISTOR		
	R 608	NRSA63J-473X	MG RESISTOR		
	R 611	NRSA63J-562X	MG RESISTOR		
	R 613	NRSA63J-562X	MG RESISTOR		
	R 617	NRSA63J-332X	MG RESISTOR		
	R 631	NRSA63J-2R2X	MG RESISTOR		
	R 632	NRSA63J-3R9X	MG RESISTOR		

■ Electrical parts list (CD servo board)

Block No. 03

△	Item	Parts number	Parts name	Remarks	Area
	R 634	NRSA63J-3R9X	MG RESISTOR		
	R 635	NRSA63J-100X	MG RESISTOR		
	R 636	NRSA63J-151X	MG RESISTOR		
	R 651	NRSA63J-102X	MG RESISTOR		
	R 652	NRSA63J-102X	MG RESISTOR		
	R 653	NRSA63J-102X	MG RESISTOR		
	R 654	NRSA63J-102X	MG RESISTOR		
	R 659	NRSA63J-203X	MG RESISTOR		
	R 661	NRSA63J-473X	MG RESISTOR		
	R 662	NRSA63J-683X	MG RESISTOR		
	R 663	NRSA63J-683X	MG RESISTOR		
	R 664	NRSA63J-331X	MG RESISTOR		
	R 665	NRSA63J-101X	MG RESISTOR		
	R 666	NRSA02J-101X	MG RESISTOR		
	R 667	NRSA63J-4R7X	MG RESISTOR		
	R 668	NRSA63J-155X	MG RESISTOR		
	R 669	NRSA63J-562X	MG RESISTOR		
	R 671	NRSA63J-684X	MG RESISTOR		
	R 673	NRSA63J-683X	MG RESISTOR		
	R 675	NRSA63J-100X	MG RESISTOR		
	R 677	NRSA63J-102X	MG RESISTOR		
	R 678	NRSA63J-102X	MG RESISTOR		
	R 679	NRSA63J-102X	MG RESISTOR		
	R 682	NRSA63J-102X	MG RESISTOR		
	R 683	NRSA63J-105X	MG RESISTOR		
	R 685	NRSA63J-683X	MG RESISTOR		
	R 801	NRSA63J-272X	MG RESISTOR		
	R 802	NRSA63J-152X	MG RESISTOR		
	R 803	NRSA63J-472X	MG RESISTOR		
	R 804	NRSA63J-103X	MG RESISTOR		
	R 805	NRSA63J-123X	MG RESISTOR		
	R 808	NRSA63J-183X	MG RESISTOR		
	R 809	NRSA63J-152X	MG RESISTOR		
	R 811	NRSA63J-473X	MG RESISTOR		
	R 812	NRSA63J-152X	MG RESISTOR		
	R 813	NRSA63J-182X	MG RESISTOR		
	R 861	NRSA63J-681X	MG RESISTOR		
	R 862	NRSA63J-681X	MG RESISTOR		
	R 863	NRSA63J-561X	MG RESISTOR		
	R 864	NRSA63J-561X	MG RESISTOR		
	SW101	QSW0927-001	SWITCH	REST SW	
	SW102	QSW0931-001	SWITCH	TRAY SW	
	X 251	QAX0664-001Z	C OSCILLATOR	FOR IC251 8.38M	
	X 651	NAX0476-001X	CRYSTAL	FOR IC651	

■ Electrical parts list (MD servo control board)

Block No. 04

△	Item	Parts number	Parts name	Remarks	Area	△	Item	Parts number	Parts name	Remarks	Area
	C 300	NCF31CZ-104X	C CAPACITOR				C 455	NDC32AJ-101X	C CAPACITOR		
	C 302	NCF31CZ-104X	C CAPACITOR				C 481	NCF21CZ-105X	C CAPACITOR		
	C 307	NCB31HK-222X	C CAPACITOR				C 483	NCF31CZ-104X	C CAPACITOR		
	C 310	NCB31HK-102X	C CAPACITOR				C 484	NEAD1CM-106X	E CAPACITOR		
	C 311	NCF21CZ-105X	C CAPACITOR				C 485	NCF31CZ-104X	C CAPACITOR		
	C 312	NEA70GM-476X	E CAPACITOR				C 486	NCF31CZ-104X	C CAPACITOR		
	C 314	NCB31CK-223X	C CAPACITOR				C 487	NCF31CZ-104X	C CAPACITOR		
	C 315	NCB31HK-102X	C CAPACITOR				C 488	NEAD1CM-106X	E CAPACITOR		
	C 316	NCF21CZ-105X	C CAPACITOR				C 489	NEAD1VM-475X	E CAPACITOR		
	C 318	NCB31HK-682X	C CAPACITOR				C 490	NCB31CK-103X	C CAPACITOR		
	C 319	NCB31CK-333X	C CAPACITOR				C 491	NCB31HK-102X	C CAPACITOR		
	C 320	NCB21AK-105X	C CAPACITOR				C 492	NCB31HK-102X	C CAPACITOR		
	C 321	NCB31HK-472X	C CAPACITOR				C 496	NCF21CZ-105X	C CAPACITOR		
	C 322	NCB21AK-105X	C CAPACITOR				C 497	NCF31CZ-104X	C CAPACITOR		
	C 323	NCB31HK-682X	C CAPACITOR				C 501	NCS31HJ-180X	C CAPACITOR		
	C 324	NCB21CK-224X	C CAPACITOR				C 502	NCS31HJ-180X	C CAPACITOR		
	C 325	NCB31CK-103X	C CAPACITOR				C 511	NCF31CZ-104X	C CAPACITOR		
	C 326	NCB31CK-223X	C CAPACITOR				C 512	NCF31CZ-104X	C CAPACITOR		
	C 327	NCB31CK-104X	C CAPACITOR				C 515	NCF31CZ-104X	C CAPACITOR		
	C 328	NCB31CK-104X	C CAPACITOR				C 590	NCS31HJ-101X	C CAPACITOR		
	C 330	NCF31CZ-104X	C CAPACITOR				C 591	NCF31CZ-104X	C CAPACITOR		
	C 333	NCB21CK-154X	C CAPACITOR				CN321	QGF0501F2-21X	CONNECTOR	FOR PICK-UP A/S	
	C 334	NCF31CZ-104X	C CAPACITOR				CN407	QGF1006F2-08W	SOCKET	FOR CAM SW	
	C 340	NCB31CK-223X	C CAPACITOR				CN408	QGF1006F2-09W	CONNECTOR	FOR TRAMECHA PW	
	C 341	NCB31CK-223X	C CAPACITOR				CN451	QGF1016F2-04W	CONNECTOR	FOR HEAD	
	C 342	NCF31CZ-104X	C CAPACITOR				CN521	QGF1006F2-21W	SOCKET	FOR SYSTEM	
	C 350	NEA70GM-476X	E CAPACITOR				CN522	QGF1006F2-08W	SOCKET	FOR CD	
	C 351	NCF21CZ-105X	C CAPACITOR				CN601	QGF1006F2-09W	CONNECTOR		
	C 352	NEA70GM-476X	E CAPACITOR				D 310	1SS355-X	DIODE	TEMP DET	
	C 353	NCF21CZ-105X	C CAPACITOR				D 451	RB160L-60-X	SB DIODE		
	C 354	NCF21CZ-105X	C CAPACITOR				D 452	RB160L-60-X	SB DIODE		
	C 355	NCF31CZ-104X	C CAPACITOR				IC310	CXA2523AR	IC	RF	
	C 358	NCF31CZ-104X	C CAPACITOR				IC340	TC7S08F-W	IC	APC PWM BUFFER	
	C 359	NCF31CZ-104X	C CAPACITOR				IC350	CXD2662R	IC	MD DSP	
	C 361	NCF31CZ-104X	C CAPACITOR				IC390	M11L1644SA-50T	IC(DRAM)	4M*4 DRAM	
	C 375	NCB31CK-103X	C CAPACITOR				IC400	XC62ER3602M-X	IC	3.6V REG	
	C 376	NCB21CK-474X	C CAPACITOR				IC410	M63008FP-X	IC	BTL DRIVER	
	C 377	NCB31HK-471X	C CAPACITOR				IC450	BD7910FV-X	IC	DRIVER	
	C 378	NCS31HJ-330X	C CAPACITOR				IC480	AK4519VF-X	IC		
	C 379	NCB21CK-474X	C CAPACITOR				IC485	TK11140SC-W	IC		
	C 380	NCB31CK-153X	C CAPACITOR				IC500	UPD784217AGC152	IC(MCU)		
	C 400	NEAD1CM-226X	E CAPACITOR				IC590	BR93LC66F-X	IC	256*16BIT EEPROM	
	C 401	NEAD0JM-107X	E CAPACITOR				K 346	NQR0360-002X	FERRITE BEADS		
	C 402	NCB31HK-331X	C CAPACITOR				K 353	NQR0389-003X	FERRITE BEADS		
	C 403	NEAD0GM-476X	E CAPACITOR				K 491	NRSA63J-0R0X	MG RESISTOR		
	C 407	NCS31HJ-101X	C CAPACITOR				K 492	NRSA63J-0R0X	MG RESISTOR		
	C 409	NCB31CK-104X	C CAPACITOR				K 495	NRSA63J-0R0X	MG RESISTOR		
	C 411	NCF21CZ-105X	C CAPACITOR				K 496	NRSA63J-0R0X	MG RESISTOR		
	C 412	NCF31CZ-104X	C CAPACITOR				K 505	NQR0389-003X	FERRITE BEADS		
	C 421	NCB31HK-561X	C CAPACITOR				K 521	NQR0354-001X	FERRITE BEADS		
	C 423	NCB31HK-561X	C CAPACITOR				K 522	NQR0354-001X	FERRITE BEADS		
	C 425	NCB31HK-561X	C CAPACITOR				K 523	NQR0389-003X	FERRITE BEADS		
	C 427	NCB31HK-561X	C CAPACITOR				K 524	NQR0389-003X	FERRITE BEADS		
	C 429	NCB31HK-392X	C CAPACITOR				K 527	NRSA63J-0R0X	MG RESISTOR		
	C 431	NCB31HK-392X	C CAPACITOR				K 528	NRSA63J-0R0X	MG RESISTOR		
	C 433	NCB31HK-562X	C CAPACITOR				K 529	NRSA63J-0R0X	MG RESISTOR		
	C 435	NCB31HK-562X	C CAPACITOR				K 530	NRSA63J-0R0X	MG RESISTOR		
	C 437	NCB31CK-103X	C CAPACITOR				K 531	NRSA63J-0R0X	MG RESISTOR		
	C 439	NCB31CK-103X	C CAPACITOR				K 532	NRSA63J-0R0X	MG RESISTOR		
	C 450	NEA71CM-107X	E CAPACITOR				L 351	NQL38DK-100X	INDUCTOR		
	C 451	NEA70GM-107X	E CAPACITOR				L 352	NQL38DK-100X	INDUCTOR		
	C 452	NCF31CZ-104X	C CAPACITOR				L 525	NQL274M-1R5X	INDUCTOR		
	C 453	NCF31CZ-104X	C CAPACITOR				L 526	NQL274M-1R5X	INDUCTOR		

■ Electrical parts list (MD servo control board)

Block No. 04

△	Item	Parts number	Parts name	Remarks	Area	△	Item	Parts number	Parts name	Remarks	Area
	Q 330	2SA1362/G/-X	TRANSISTOR				R 380	NRSA63J-105X	MG RESISTOR		
	Q 331	KRA102S-X	D TRANSISTOR				R 381	NRSA63J-102X	MG RESISTOR		
	Q 332	KRA116S-X	TRANSISTOR				R 382	NRSA63J-151X	MG RESISTOR		
	Q 333	KRA116S-X	TRANSISTOR				R 387	NRSA63J-102X	MG RESISTOR		
	Q 400	2SA1363/EF/-X	TRANSISTOR	4.6V REG			R 389	NRSA63J-331X	MG RESISTOR		
	Q 401	2SA1363/EF/-X	TRANSISTOR	3.6V REG			R 390	NRSA63J-102X	MG RESISTOR		
	Q 410	KRC102S-X	D TRANSISTOR				R 391	NRSA63J-561X	MG RESISTOR		
	Q 411	KRC102S-X	D TRANSISTOR				R 392	NRSA63J-102X	MG RESISTOR		
	R 300	NRSA63J-0R0X	MG RESISTOR				R 393	NRSA63J-102X	MG RESISTOR		
	R 301	NRS181J-0R0X	MG RESISTOR				R 394	NRSA63J-102X	MG RESISTOR		
	R 302	NRSA63J-0R0X	MG RESISTOR				R 395	NRSA63J-102X	MG RESISTOR		
	R 305	NRSA63J-222X	MG RESISTOR				R 396	NRSA63J-331X	MG RESISTOR		
	R 306	NRSA63J-474X	MG RESISTOR				R 397	NRSA63J-331X	MG RESISTOR		
	R 309	NRSA63J-474X	MG RESISTOR				R 398	NRSA63J-331X	MG RESISTOR		
	R 310	NRSA63J-331X	MG RESISTOR				R 399	NRSA63J-102X	MG RESISTOR		
	R 311	NRSA63J-682X	MG RESISTOR				R 401	NRSA63D-153X	MG RESISTOR		
	R 313	NRSA63J-104X	MG RESISTOR				R 402	NRSA63D-562X	MG RESISTOR		
	R 314	NRSA63J-133X	MG RESISTOR				R 403	NRSA63J-471X	MG RESISTOR		
	R 315	NRSA63J-243X	MG RESISTOR				R 404	NRSA63J-333X	MG RESISTOR		
	R 316	NRSA63J-104X	MG RESISTOR				R 420	NRSA63D-223X	MG RESISTOR		
	R 317	NRSA63J-103X	MG RESISTOR				R 421	NRSA63D-103X	MG RESISTOR		
	R 320	NRSA63J-563X	MG RESISTOR				R 422	NRSA63D-223X	MG RESISTOR		
	R 321	NRSA63J-331X	MG RESISTOR				R 423	NRSA63D-103X	MG RESISTOR		
	R 322	NRSA63J-331X	MG RESISTOR				R 424	NRSA63D-223X	MG RESISTOR		
	R 323	NRSA63J-331X	MG RESISTOR				R 425	NRSA63D-103X	MG RESISTOR		
	R 324	NRSA63J-102X	MG RESISTOR				R 426	NRSA63D-223X	MG RESISTOR		
	R 325	NRSA63J-472X	MG RESISTOR				R 427	NRSA63D-103X	MG RESISTOR		
	R 326	NRSA63J-331X	MG RESISTOR				R 428	NRSA63D-243X	MG RESISTOR		
	R 327	NRSA63J-331X	MG RESISTOR				R 429	NRSA63D-392X	MG RESISTOR		
	R 328	NRSA63J-101X	MG RESISTOR				R 430	NRSA63D-243X	MG RESISTOR		
	R 330	NRSA63J-8R2X	MG RESISTOR				R 431	NRSA63D-392X	MG RESISTOR		
	R 331	NRSA63J-270X	MG RESISTOR				R 432	NRSA63D-123X	MG RESISTOR		
	R 332	NRSA63J-473X	MG RESISTOR				R 433	NRSA63D-822X	MG RESISTOR		
	R 333	NRSA63J-473X	MG RESISTOR				R 434	NRSA63D-123X	MG RESISTOR		
	R 334	NRSA63J-473X	MG RESISTOR				R 435	NRSA63D-822X	MG RESISTOR		
	R 335	NRSA63J-473X	MG RESISTOR				R 436	NRSA63J-223X	MG RESISTOR		
	R 336	NRSA63J-104X	MG RESISTOR				R 437	NRSA63J-302X	MG RESISTOR		
	R 337	NRSA63J-1R0X	MG RESISTOR				R 438	NRSA63J-223X	MG RESISTOR		
	R 338	NRSA63J-4R7X	MG RESISTOR				R 439	NRSA63J-302X	MG RESISTOR		
	R 339	NRSA63J-473X	MG RESISTOR				R 440	NRSA63D-103X	MG RESISTOR		
	R 340	NRSA63J-222X	MG RESISTOR				R 441	NRSA63D-103X	MG RESISTOR		
	R 341	NRSA63J-222X	MG RESISTOR				R 451	NRSA63J-473X	MG RESISTOR		
	R 342	NRSA63J-222X	MG RESISTOR				R 452	NRSA63J-563X	MG RESISTOR		
	R 343	NRSA63J-102X	MG RESISTOR				R 453	NRSA63J-1R0X	MG RESISTOR		
	R 354	NRSA63D-103X	MG RESISTOR				R 454	NRSA63J-1R0X	MG RESISTOR		
	R 355	NRSA63D-103X	MG RESISTOR				R 456	NAD0006-103X	THERMISTOR		
	R 356	NRSA63J-102X	MG RESISTOR				R 481	NRSA63J-100X	MG RESISTOR		
	R 361	NRSA63J-102X	MG RESISTOR				R 483	NRSA63J-0R0X	MG RESISTOR		
	R 362	NRSA63J-102X	MG RESISTOR				R 491	NRSA63J-471X	MG RESISTOR		
	R 363	NRSA63J-102X	MG RESISTOR				R 492	NRSA63J-471X	MG RESISTOR		
	R 364	NRSA63J-102X	MG RESISTOR				R 495	NRSA63J-471X	MG RESISTOR		
	R 365	NRSA63J-102X	MG RESISTOR				R 496	NRSA63J-471X	MG RESISTOR		
	R 366	NRSA63J-102X	MG RESISTOR				R 497	NRSA63J-1R0X	MG RESISTOR		
	R 367	NRSA63J-102X	MG RESISTOR				R 502	NRSA63J-152X	MG RESISTOR		
	R 368	NRSA63J-102X	MG RESISTOR				R 503	NRSA63J-222X	MG RESISTOR		
	R 369	NRSA63J-102X	MG RESISTOR				R 504	NRSA63J-333X	MG RESISTOR		
	R 371	NRSA63J-103X	MG RESISTOR				R 506	NRSA63J-103X	MG RESISTOR		
	R 372	NRSA63J-103X	MG RESISTOR				R 510	NRSA63J-102X	MG RESISTOR		
	R 375	NRSA63J-103X	MG RESISTOR				R 511	NRSA63J-102X	MG RESISTOR		
	R 376	NRSA63J-104X	MG RESISTOR				R 512	NRSA63J-102X	MG RESISTOR		
	R 377	NRSA63J-684X	MG RESISTOR				R 513	NRSA63J-102X	MG RESISTOR		
	R 378	NRSA63J-332X	MG RESISTOR				R 514	NRSA63J-102X	MG RESISTOR		
	R 379	NRSA63J-102X	MG RESISTOR				R 515	NRSA63J-102X	MG RESISTOR		

■ Electrical parts list (MD servo control board) Block No. 04

△	Item	Parts number	Parts name	Remarks	Area
	R 516	NRSA63J-102X	MG RESISTOR		
	R 518	NRSA63J-102X	MG RESISTOR		
	R 519	NRSA63J-102X	MG RESISTOR		
	R 520	NRSA63J-102X	MG RESISTOR		
	R 521	NRSA63J-102X	MG RESISTOR		
	R 522	NRSA63J-222X	MG RESISTOR		
	R 523	NRSA63J-102X	MG RESISTOR		
	R 524	NRSA63J-102X	MG RESISTOR		
	R 525	NRSA63J-102X	MG RESISTOR		
	R 528	NRSA63J-102X	MG RESISTOR		
	R 529	NRSA63J-102X	MG RESISTOR		
	R 530	NRSA63J-102X	MG RESISTOR		
	R 534	NRSA63J-103X	MG RESISTOR		
	R 536	NRSA63J-103X	MG RESISTOR		
	R 537	NRSA63J-103X	MG RESISTOR		
	R 538	NRSA63J-473X	MG RESISTOR		
	R 540	NRSA63J-473X	MG RESISTOR		
	R 541	NRSA63J-473X	MG RESISTOR		
	R 545	NRSA63J-0R0X	MG RESISTOR		
	R 546	NRSA63J-0R0X	MG RESISTOR		
	R 547	NRSA63J-0R0X	MG RESISTOR		
	R 548	NRSA63J-0R0X	MG RESISTOR		
	R 551	NRSA63J-104X	MG RESISTOR		
	R 552	NRSA63J-104X	MG RESISTOR		
	R 554	NRSA63J-104X	MG RESISTOR		
	R 555	NRSA63J-102X	MG RESISTOR		
	R 556	NRSA63J-102X	MG RESISTOR		
	R 557	NRSA63J-102X	MG RESISTOR		
	R 558	NRSA63J-102X	MG RESISTOR		
	R 559	NRSA63J-0R0X	MG RESISTOR		
	R 560	NRSA63J-0R0X	MG RESISTOR		
	R 561	NRSA63J-0R0X	MG RESISTOR		
	R 562	NRSA63J-0R0X	MG RESISTOR		
	R 563	NRSA63J-102X	MG RESISTOR		
	R 564	NRSA63J-102X	MG RESISTOR		
	R 565	NRSA63J-102X	MG RESISTOR		
	R 567	NRSA63J-102X	MG RESISTOR		
	R 568	NRSA63J-102X	MG RESISTOR		
	R 569	NRSA63J-102X	MG RESISTOR		
	R 570	NRSA63J-223X	MG RESISTOR		
	R 592	NRSA63J-104X	MG RESISTOR		
	R 593	NRSA63J-103X	MG RESISTOR		
	S 601	NSW0165-001X	DETECT SWITCH		
	S 602	NSW0007-001X	PUSH SWITCH		
	X 350	NAX0355-001X	CRYSTAL	90.3168MHZ	
	X 500	NAX0426-001X	CRYSTAL	12.288MHZ	

■ Electrical parts list (MD cam switch board) Block No. 05

△	Item	Parts number	Parts name	Remarks	Area
	CN611	QGF1016F3-08	CONNECTOR		
	CN612	QGA1501F1-02	CONNECTOR		
	S 611	QSW0848-001	CAM SW		

< M E M O >

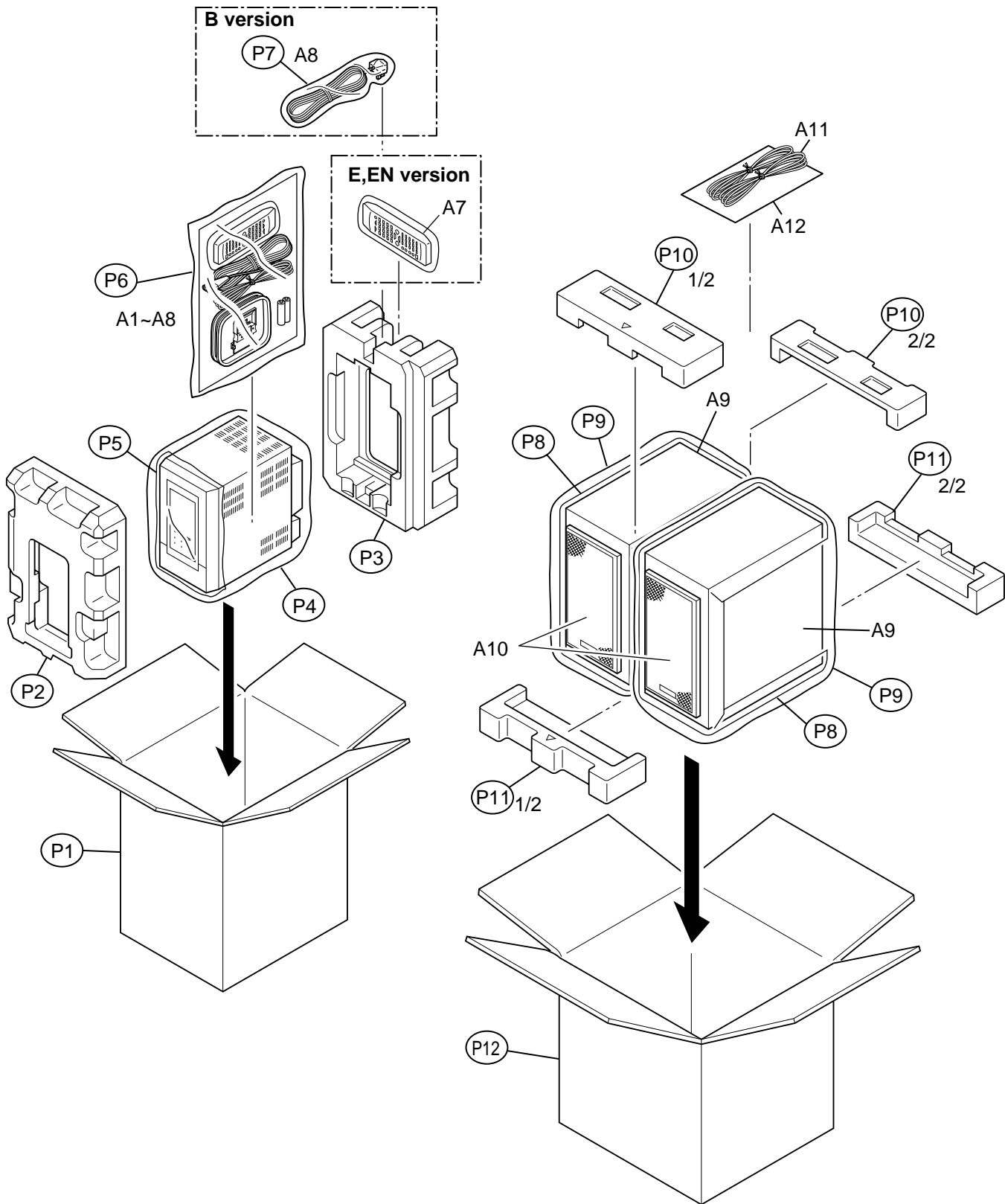
Packing materials and accessories parts list

Block No.

M	3	M	M
---	---	---	---

Block No.

M	5	M	M
---	---	---	---



Parts list (Packing)

Block No. M3MM

⚠	Item	Parts number	Parts name	Q'ty	Description	Area
	P 1	LV33112-001A	PACKING CASE	1	CA-NXMD1R	
	P 2	LV10527-001A	PACKING PAD(FRONT)	1	CA-NXMD1R	
	P 3	LV10528-002A	PACKING PAD(REAR)	1	CA-NXMD1R	
	P 4	QPC05005015P	POLY BAG	1	FOR SET	
	P 5	LV42796-001A	SHEET	1		
	P 6	QPC02503510P	POLY BAG	1	FOR ACCESSARY	
	P 7	QPA01503503	POLY BAG	1		B
	P 8	85-000-417-01	MIRROR MAT	2	SP-NXMD1R	
	P 9	85-000-416-01	POLY BAG	2	SP-NXMD1R	
	P 10	80-000-456-01	TOP CUSHION	1	SP-NXMD1R	
	P 11	80-000-456-11	BOTTOM CUSHION	1	SP-NXMD1R	
	P 12	83-000-439-41	PACKING CASE	1	SP-NXMD1R	

Parts list (Accessories)

Block No. M5MM

⚠	Item	Parts number	Parts name	Q'ty	Description	Area
	A 1	LVT0776-002A	I.B.(CA-NXMD1R)	1	SWE,FIN,DAN,GER,FRE, SPA,ITA	EN
		LVT0776-001A	I.B.(CA-NXMD1R)	1	GER,FRE,DUT	E
		LVT0776-003A	I.B.(CA-NXMD1R)	1	ENG	B
	A 2	BT-54008-2	WARRANTY CARD	1		B,EN
		BT-54013-2	WARRANTY CARD	1		E
	A 3	VNA3000-204	REGIST.CARD	1		B
	A 4	QAL0014-001	AM LOOP ANT	1		
	A 5	EWP503-001C	ANT.WIRE	1		
	A 6	-----	BATTERY	2		
	A 7	RM-SNXMD1R	REMOCON	1		
⚠	A 8	QMPP060-183-JD	POWER CORD	1		B
⚠		QMPL060-183-JD	POWER CORD	1		E,EN
	A 9	NXMD1R-SPBOX	SPEAKER BOX	2	SP-NXMD1R	
	A 10	99-100-061-21	SARAN BOARD	2	SP-NXMD1R	
	A 11	62-000-411-01	SPEAKER CORD	1	SP-NXMD1R	
	A 12	87-001-003-01	I.B.(SP-NXMD1R)	1	ENG,GER,FRE,DUT,SPA,ITA, SWE,FIN,DAN,HUN,POL,CZE	

< MEMO >

PARTS LIST

[NX-MD1]

* All printed circuit boards and its assemblies are not available as service parts.

Area suffix

A ----- Australia
 US ----- Singapore
 UB ----- Hong Kong
 UP ----- Korea

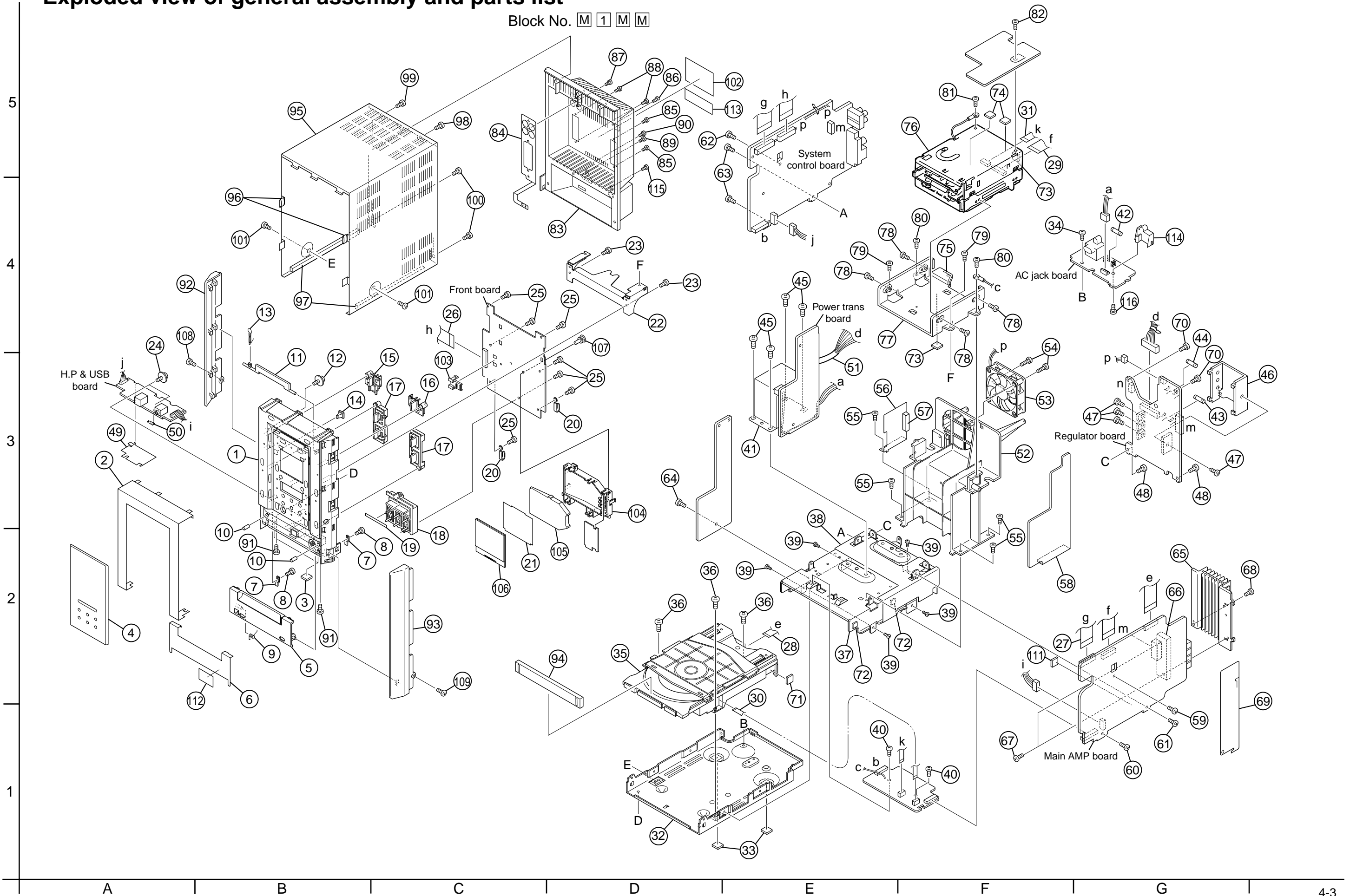
- Contents -

Exploded view of general assembly and parts list (Block No.M1)	4- 3
CD mechanism assembly and parts list (Block No.MB)	4- 6
MD mechanism assembly and parts list (Block No.ME)	4- 8
Electrical parts list (Block No.01~05)	4-11
Packing materials and accessories parts list (Block No.M3,M5)	4-24

< M E M O >

Exploded view of general assembly and parts list

Block No. M 1 M M



NX-MD1R/NX-MD1

NX-MD1R/NX-MD1

■ Parts list (General assembly)

Block No. M1MM

△	Item	Parts number	Parts name	Q'ty	Description	Area
	1	LV10519-001A	FRONT PANEL	1		
	2	LV21016-003A	FRONT PLATE	1		
	3	E75896-002	FELT SPACER	2	FOOT	
	4	LV32691-002A	WINDOW SCREEN	1		
	5	LV32688-001A	CD DOOR	1		
	6	LV32695-001A	CD DOOR PLATE	1		
	7	LV42339-001A	DOOR BKT	2	FOR CD DOOR	
	8	QYSDSF2608Z	SCREW	2	DOOR BKT+F.PANEL	
	9	LV42285-003A	DOOR SPRING	1	FOR CD DOOR	
	10	E69897-002	CUSHION	2	FOR F.PANEL	
	11	LV31906-005A	SHUTTER	1	MD	
	12	E72405-001SS	SPECIAL SCREW	1	FOR SHUTTER	
	13	LV41165-003A	SPRING	1		
	14	LV42283-001A	INDICATOR(POWER	1		
	15	LV32689-001A	BUTTON(POWER)	1		
	16	LV32690-001A	BUTTON(MD EJCT)	1		
	17	LV32687-001A	BUTTON(CD EJCT)	2		
	18	LV21015-001A	MAIN BUTTON	1		
	19	LV42417-001A	BUTTON SHEET	1		
	20	VKZ4001-110S	WIRE HOLDER	2	FOR H.P/USB WIRE	
	21	LV42354-001A	LCD SHEET	1	FOR LCD	
	22	LV32696-001A	MD STAY BKT	1		
	23	QYSBSF2608Z	T.SCREW	2	FOR MD STAY BKT	
	24	E65923-003	TAPPING SCREW	2	FOR H.PHON,USB	
	25	QYSBSF2608Z	T.SCREW	7	FOR FRONT PWB	
	26	QUQ412-1924DJ	FFC WIRE	1	FFC1	
	27	QUQ412-2120CJ	FFC WIRE	1	FFC2	
	28	QUQ110-1936AJ	FFC WIRE	1	FFC3	
	29	QUQ110-2116AM	FFC WIRE	1	FFC4	
	30	QUQ110-0824BJ	FFC WIRE	1	FFC5	
	31	QUQ110-0822AJ	FFC WIRE	1	FFC6	
	32	LV10521-001A	BOTTOM CHASSIS	1		
	33	E75896-006	FELT SPACER	2	FOR BOTTOM	
	34	QYSBST3006Z	T.SCREW	1	AC PWB+BOTTOM	
	35	-----	CD MECHA	1	FMU-N1-1M	
	36	QYSBST3008Z	T.SCREW	3	N1 + BOTTOM	
	37	LV10522-001A	SUB CHASSIS	1		
	38	LV33115-001A	DUST COVER	1		
	39	QYSDSG3006E	T.SCREW	5	SUB+B.C(SIDE/REAR)	
	40	QYSBST3006Z	T.SCREW	2		
△	41	QQT0332-002	POWER TRANSF	1	T9101	UB,UP,A
△		QQT0332-003	POWER TRANSF	1	T9101	US
△	42	QMF51W2-1R6-J8	FUSE	1	F9009	US
△		QMF51W2-R63-J8	FUSE	1	F9009	UB,UP,A
△	43	QMFZ031-8R0-J1	FUSE	1	F9001	
△	44	QMF51W2-2R0-J8	FUSE	1	F9002	
	45	QYSDSTL4008Z	SPECIAL SCREW	4	TRANS+SUB.CHASSIS	
	46	LV30866-201A	HEAT SINK 2	1	FOR REG	

■ Parts list (General assembly)

Block No. M1MM

△	Item	Parts number	Parts name	Q'ty	Description	Area
	47	QYSBSG3010Z	T.SCREW	4	FOR REG/AMP+H.SINK)	
	48	QYSBST3006Z	T.SCREW	2	FOR SUB+REG PWB	
	49	LV42831-001A	SHIELD	1		
	50	LV42830-001A	EARTH	1		
	51	QWTBK00-050	TUBE	1		
	52	LV10526-001A	CENTOR SUPPORT	1		
	53	QAR0190-001	FAN MOTOR	1		
	54	QYSBSF3025Z	SCREW	2	C.SUPP+FAN.MOTOR)	
	55	QYSBST3006Z	T.SCREW	4	SUB.C+C.SUPPORT	
	56	LV42632-001A	SHIELD	1	FOR TRANS	
	57	LV30225-0C2A	SPACER	1	FOR SHIELD	
	58	LV42615-001A	PWB COVER	1		
	59	QYSBSF3008Z	SCREW	1	C.SUPP+SP.PWB	
	60	QYSBST3006Z	T.SCREW	1	SUB+SP.PWB(FRONT)	
	61	QYSBSGG3008E	T.SCREW	1	SUB+SP.PWB(REAR)	
	62	QYSBSF3008Z	SCREW	1	C.SUPP+TU.PWB	
	63	QYSBST3006Z	T.SCREW	2	SUB+TU.PWB	
	64	QYSDST3006Z	SCREW	1	SHIELD CB FIX	
	65	LV32697-001A	HEAT SINK	1	MAIN HEAT SINK	
	66	LV32698-001A	IC HOLDER	1	FOR IC	
	67	QYSBSG3014E	T.SCREW	2	FOR IC HOL+H.SINK	
	68	QYSBSG3010E	T.SCREW	1	FOR H.SINK+H.S2	
	69	LV42539-001A	BARRIER	1		
	70	QYSBSF3008Z	SCREW	2	FOR REG PWB+C.SUPPRT	
	71	VYSH101-009	SPACER	1	CD MECHA FFC 1	
	72	VYSH101-009	SPACER	2	SUB CHASSIS FFC	
	73	VYSH101-009	SPACER	2	MD BKT MD FFC	
	74	VYSH101-009	SPACER	2	MD TOP CASE FFC	
	75	VYSA1R4-056	SPACER	1	MD BKT SHARP ED	
	76	-----	MD MECHA	1	FMU-S5M-2M	
	77	LV31914-001A	MD BKT	1		
	78	QYSBST3006Z	T.SCREW	4	MD BKT+MD MECHA	
	79	QYSBST3006Z	T.SCREW	2	MD STAY BK+MD BKT	
	80	QYSBSF3008Z	SCREW	2	MD BK+C.SUPPORT	
	81	QYSDST3006Z	SCREW	1	FOR EARTH	
	82	QYSDST3006Z	SCREW	1	FOR SHIELD PCB	
	83	LV10520-002A	REAR COVER	1		UB,UP,A
		LV10520-003A	REAR COVER	1		US
	84	LV32715-001A	EARTH PLATE	1	FOR TUNER	
	85	QYSBSG3008M	T.SCREW	2	FOR SP JACK	
	86	QYSBSG3008M	T.SCREW	1	FOR DIGITAL IN	
	87	QYSBSG3008M	T.SCREW	1	FOR LINE 1 JACK	
	88	QYSBSG3008M	T.SCREW	2	FOR TU JACK	
	89	QYSBSG3008M	T.SCREW	1	FOR AC	
	90	QYSBSG3008M	T.SCREW	1	FOR R.COVER+SUB	
	91	QYSBST3008Z	T.SCREW	2	F.PANEL+BOTTOM	
	92	LV21023-001A	SIDE FITTING(L)	1		
	93	LV21024-001A	SIDE FITTING(R)	1		

■ Parts list (General assembly)

Block No. M1MM

△	Item	Parts number	Parts name	Q'ty	Description	Area
	94	LV32693-003A	TRAY FITTING	1	FOR CD TRAY	
	95	LV21017-002A/S/	METAL COVER	1		
	96	LV30064-082A	SPACER	2	FOR METAL COVER	
	97	LV30225-0C3A	SPACER	2	FOR METAL COVER	
	98	QYSBSG3008E	T.SCREW	1	REAR UPPER RIGH	
	99	QYSBSG3008E	T.SCREW	1	REAR UPPER LEFT	
	100	QYSBSG3008E	T.SCREW	2	REAR L/R LOWER	
	101	QYSDSG3006N	T.SCREW	2	L / R SIDE	
	102	LV32735-009A	NAME PLATE	1		UB
		LV32735-011A	NAME PLATE	1		A
		LV32735-005A	NAME PLATE	1		US
		LV30262-006A	UP LABEL	1		UP
	103	LV42338-001A	LED HOLDER	1	FOR D7303	
	104	LV21039-002A	LENS HOLDER	1	FOR KEY-PWB	
	105	LV42284-001A	LCD LENS	1		
	106	QLD0180-001	LCD LENS	1	DI701	
	107	FMYH4004-001	PLASTIC RIVET	1		
	108	QYSSST3006Z	SCREW	1	FOR FITTING(L)	
	109	QYSSST3006Z	SCREW	1	FOR FITTING(R)	
	111	VYSH101-009	SPACER	1		
	112	LV42594-001A	CAUTION LABEL	1	FOR CD DOOR	
	113	VND4118-004	CAUTION LABEL	1	REAR COVER	
	114	VYH8161-001	SELECT HOLDER	1		US
	115	QYSBSG3008M	TAPPING SCREW	1		US
	116	QYSBSF3008Z	TAPPING SCREW	1		US

CD mechanism assembly and parts list

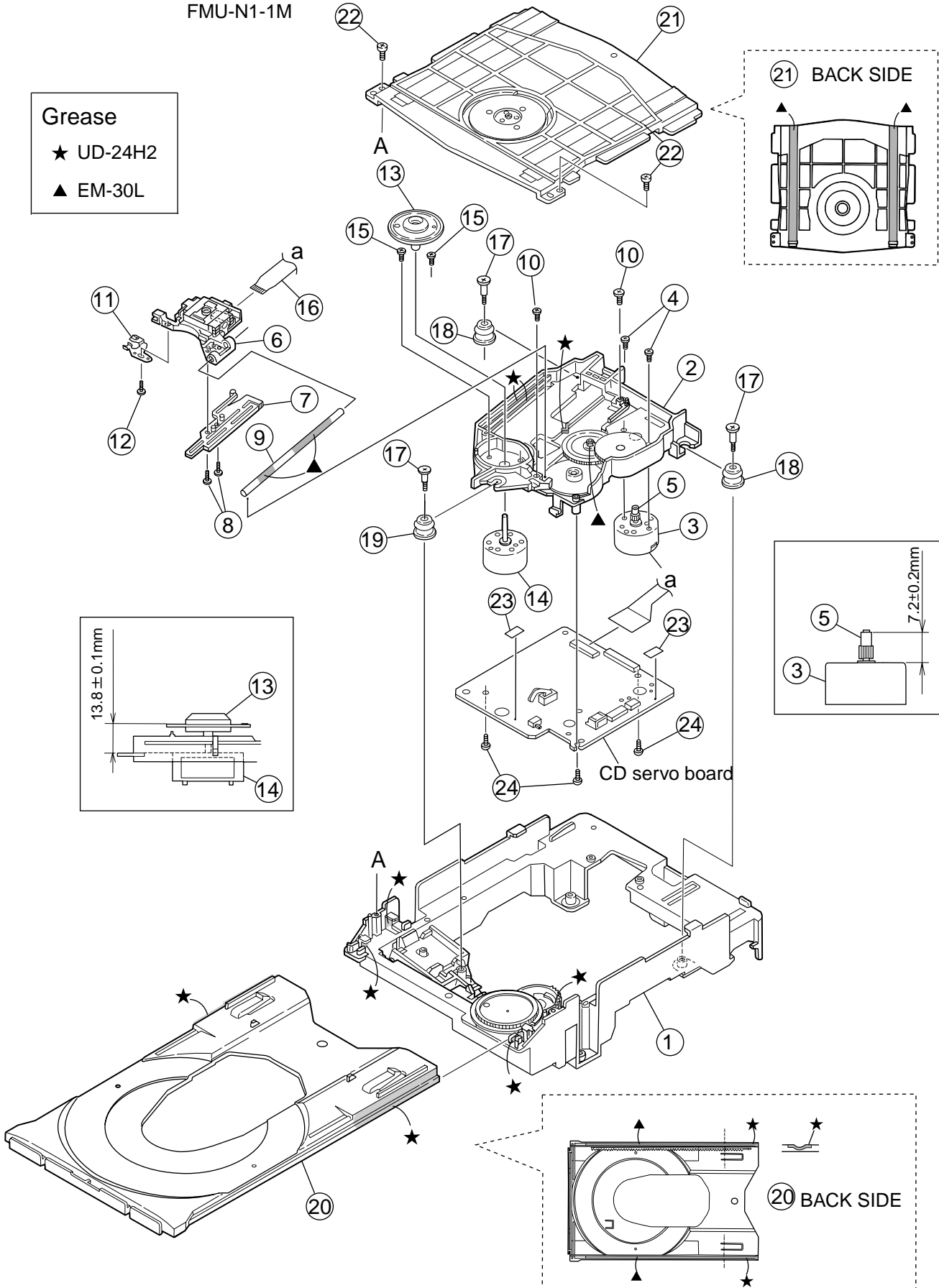
Block No. M B M M

FMU-N1-1M

Grease

★ UD-24H2

▲ EM-30L



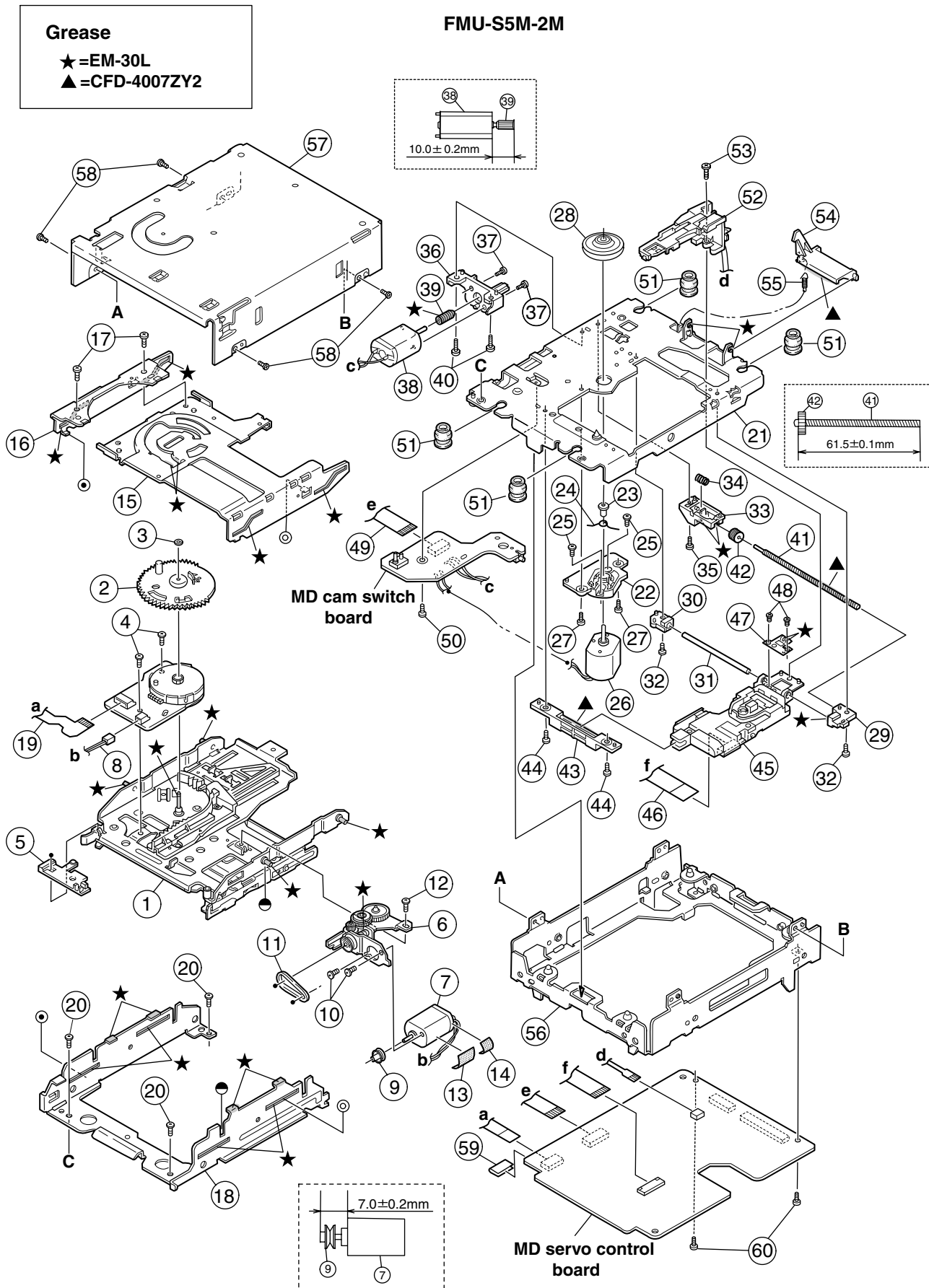
Parts list (CD mechanism)

Block No. MBMM

⚠	Item	Parts number	Parts name	Q'ty	Description	Area
	1	LV32649-003A	L.BASE ASSY	1		
	2	LV32651-002A	CH.BASE ASSY	1		
	3	QAR0176-001	FEED MOTOR	1		
	4	VKZ4743-001	SPECIAL SCREW	2		
	5	LV42229-001A	MOTOR GEAR	1		
	6	OPTIMA-725B1	CD PICK UP	1		
	7	LV20993-002A	RACK PLATE	1		
	8	QYSPSGT1735M	MINI SCREW	2		
	9	E406777-002SM	C.D SHAFT	1		
	10	LV41741-001A	SPECIAL SCREW	2		
	11	LV31744-001A	P.S.SPRING	1		
	12	QYSPSGT1425M	TAP SCREW	1		
	13	LV42350-001A	T.T.ASSY	1		
	14	QAR0175-001	SP.MOTOR	1		
	15	VKZ4743-001	SPECIAL SCREW	2		
	16	LVB30008-001A	FPC	1		
	17	LV41424-001A	SPECIAL SCREW	3		
	18	LV41659-001A	INSULATOR	2		
	19	LV41659-002A	INSULATOR	1		
	20	LV10503-001A	TRAY	1		
	21	LV32650-001A	CL.BASE ASSY	1		
	22	QYSBSF2005Z	T.SCREW	2		
	23	LV30225-0B6A	SPACER	2		
	24	QYSBSF2005Z	T.SCREW	3		

MD mechanism assembly and parts list

Block No. M E M M



Parts list (MD mechanism)

Block No. MEMM

△	Item	Parts number	Parts name	Q'ty	Description	Area
	1	LV20548-013A	LOADING ASSY	1		
	2	LV31472-002A	CAM GEAR	1		
	3	QYWDL1230252	SLIT WASHER	1		
	4	LV41477-002A	MINI TAP SCREW	2	CAM SW PWB	
	5	LV32168-002A	WIRE HOLDER	1		
	6	LV31710-002A	L.MOTOR ASSY	1		
	7	QAR0144-001	MOTOR	1	MT601	
	8	WJM0117-003A	E-SI C WIRE C-F	1		
	9	LV41341-001A	MOTOR PULLEY	1		
	10	QYSPSPT2020M	MINI SCREW	2	LOAD.MOTOR	
	11	LV41342-001A	BELT	1		
	12	LV41477-002A	MINI TAP SCREW	1	L.MOTOR BKT.	
	13	LV30225-068A	SPACER	1		
	14	LV30225-085A	SPACER	1		
	15	LV20543-002A	SLIDE BASE R	1		
	16	LV31483-001A	SLIDE BASE L	1		
	17	LV41477-002A	MINI TAP SCREW	2	SLIDE BASE	
	18	LV10286-002A	LOAD.MECHA BASE	1		
	19	LVB40003-001A	FPC CABLE	1		
	20	LV41477-002A	MINI TAP SCREW	3	L.MECHA BASE	
	21	LV31709-003A	TM.CHASSIS ASSY	1		
	22	LV20545-001A	SP.MOTOR BASE	1		
	23	LE40515-001A	COLLAR	1		
	24	LE40516-001A	SPRING	1		
	25	QYSPSPU1720N	SCREW	2	SP.MOTOR	
	26	FF-110PH-08280	SP.MOTOR	1	MT603	
	27	LV41477-002A	MINI TAP SCREW	2	SP.MOTOR BASE	
	28	LE30470-202A	T.TABLE ASSY	1		
	29	LV41343-001A	SHAFT HOLDER R	1		
	30	LV41344-002A	SHAFT HOLDER F	1		
	31	VKH5803-001	GUIDE SHAFT	1		
	32	LV41477-002A	MINI TAP SCREW	2	SHAFT HOLDER	
	33	LV31484-001A	T.SPRING HOLDER	1		
	34	LV41350-001A	COM.SPRING	1		
	35	LV41477-002A	MINI TAP SCREW	1	T.SP.HOLDER	
	36	LV31485-001A	FEED MOTOR BKT.	1		
	37	QYSPSPT2025N	MINI SCREW	2	FEED MOTOR	
	38	QAR0144-001	MOTOR	1	MT602	
	39	LV41345-001A	FEED WORM	1		
	40	LV41477-002A	MINI TAP SCREW	2	FEED MOTOR BKT.	
	41	LV42702-001A	SCREW SHAFT	1		
	42	LV41347-001A	S.SHAFT GEAR	1		
	43	LV31486-001A	PICK UP GUIDE	1		
	44	LV41477-002A	MINI TAP SCREW	2	P-UP GUIDE	
	45	KMS-260E	MD PICK UNIT	1		
	46	LVB30007-002A	FPC CABLE	1		
	47	LV41348-001A	RACK SPRING	1		
	48	QYSPSPT1414M	MINI SCREW	2	RACK SPRING	

■ Parts list (MD mechanism)

Block No. MEMM

△	Item	Parts number	Parts name	Q'ty	Description	Area
	49	WJT0042-001A	E-CARD WIRE	1		
	50	LV41477-002A	MINI TAP SCREW	1	T.MECHA PWB	
	51	LV40761-003A	INSULATOR	4		
	52	QAH0039-002	MD HEAD	1	H601	
	53	QYSPSPT1740N	MINI SCREW	1	MD HEAD	
	54	LV31487-002A	HEAD LIFTER	1		
	55	LV41349-001A	H.LIFTER SPRING	1		
	56	LV10284-002A	SINGLE FRAME	1		
	57	LV10285-003A	MECHA COVER	1		
	58	LV41477-002A	MINI TAP SCREW	4	MECHA COVER	
	59	LV30225-096A	SPACER	1		
	60	VKZ4539-024	MINI SCREW	2	SERVO PWB	

■ Electrical parts list (Micon board)

Block No. 01

△	Item	Parts number	Parts name	Remarks	Area	△	Item	Parts number	Parts name	Remarks	Area
	C 1	NCB31CK-223X	C CAPACITOR				C4323	NCF21EZ-104X	C CAPACITOR		
	C 2	NCB31HK-103X	C CAPACITOR				C4324	QETN1HM-106Z	E CAPACITOR	10MF 20% 50V	
	C 3	QETN1CM-106Z	E CAPACITOR	10MF 20% 16V			C4325	NCF21EZ-104X	C CAPACITOR		
	C 4	NCB31HK-103X	C CAPACITOR				C4326	NCF21EZ-104X	C CAPACITOR		
	C 6	NCB31HK-102X	C CAPACITOR				C4331	NCB21HK-331X	C CAPACITOR		
	C 10	NRSA02J-0R0X	MG RESISTOR				C6111	NCB31HK-562X	C CAPACITOR		
	C 11	NCB31CK-104X	C CAPACITOR				C6131	NCB31HK-103X	C CAPACITOR		
	C 12	NCB31CK-473X	C CAPACITOR				C6211	NCB31HK-562X	C CAPACITOR		
	C 13	NCS31HJ-120X	C CAPACITOR				C6231	NCB31HK-103X	C CAPACITOR		
	C 15	NCS31HJ-120X	C CAPACITOR				C6302	NCB31HK-103X	C CAPACITOR		
	C 16	NCS31HJ-120X	C CAPACITOR				C6311	QEK1CM-107Z	E CAPACITOR	100MF 20% 16V	
	C 17	NCB31HK-392X	C CAPACITOR				C6312	QEK1HM-475Z	E CAPACITOR	4.7MF 20% 50V	
	C 18	QEQ61HM-474Z	N.P.E CAPACITOR	.47MF 20% 50V			C7201	QER61AM-107Z	E CAPACITOR	100MF 20% 10V	
	C 19	NCB31CK-473X	C CAPACITOR				C7401	QETN1HM-105Z	E CAPACITOR	1.0MF 20% 50V	
	C 20	NCB31HK-102X	C CAPACITOR				C7501	NCF31AZ-105X	C CAPACITOR		
	C 21	NCB31CK-223X	C CAPACITOR				C7502	NCF31AZ-105X	C CAPACITOR		
	C 25	QEK1AM-107Z	E CAPACITOR	100MF 20% 10V			C7503	NCF31AZ-105X	C CAPACITOR		
	C 30	QEK1CM-107Z	E CAPACITOR	100MF 20% 16V			C8001	QCZ0202-155Z	ML C CAPACITOR	1.5MF	
	C 31	QEK1CM-226Z	E CAPACITOR	22MF 20% 16V			C8002	NCB31HK-103X	C CAPACITOR		
	C 32	NCB31CK-473X	C CAPACITOR				C8003	NCB31HK-103X	C CAPACITOR		
	C 33	NCB31CK-473X	C CAPACITOR				C8005	QETN1AM-107Z	E CAPACITOR	100MF 20% 10V	
	C 34	NCB31CK-223X	C CAPACITOR				C8006	QETN0JM-108Z	E CAPACITOR	1000MF 20% 6.3V	
	C 35	NCB31CK-473X	C CAPACITOR				C8007	QETN1AM-107Z	E CAPACITOR	100MF 20% 10V	
	C 36	QEK1HM-105Z	E CAPACITOR	1.0MF 20% 50V			C8008	NCS31HJ-101X	C CAPACITOR		
	C 37	QEK1HM-105Z	E CAPACITOR	1.0MF 20% 50V			C8009	NCS31HJ-101X	C CAPACITOR		
	C 38	QEK1HM-224Z	E CAPACITOR	.22MF 20% 50V			C8061	NCS31HJ-102X	C CAPACITOR		
	C 39	QEK1HM-105Z	E CAPACITOR	1.0MF 20% 50V			C8062	NCS31HJ-102X	C CAPACITOR		
	C 40	QEK1CM-106Z	E CAPACITOR	10MF 20% 16V			C8063	NCS31HJ-470X	C CAPACITOR		
	C 41	QEK1CM-106Z	E CAPACITOR	10MF 20% 16V			C8064	NCS31HJ-270X	C CAPACITOR		
	C 42	NCB31HK-152X	C CAPACITOR				C8065	NCS31HJ-330X	C CAPACITOR		
	C 43	NCB31HK-152X	C CAPACITOR				C8066	NCS31HJ-470X	C CAPACITOR		
	C 44	QEK1CM-106Z	E CAPACITOR	10MF 20% 16V			C8067	NCS31HJ-102X	C CAPACITOR		
	C 45	QEK1CM-106Z	E CAPACITOR	10MF 20% 16V			C8071	NCS31HJ-220X	C CAPACITOR		
	C 46	NCB31EK-273X	C CAPACITOR				C8072	NCS31HJ-220X	C CAPACITOR		
	C 47	QEK1HM-105Z	E CAPACITOR	1.0MF 20% 50V			C8091	NCB31HK-103X	C CAPACITOR		
	C 48	NCB31HK-222X	C CAPACITOR				C8101	QETN1HM-225Z	E CAPACITOR	2.2MF 20% 50V	
	C 49	NCB31HK-471X	C CAPACITOR				C8102	QEK1HM-475Z	E CAPACITOR	4.7MF 20% 50V	
	C 50	QEK1CM-226Z	E CAPACITOR	22MF 20% 16V			D 1	1SS133-T2	SI DIODE		
	C 51	QEK1HM-105Z	E CAPACITOR	1.0MF 20% 50V			D 2	1SS133-T2	SI DIODE		
	C 52	QFVJ1HJ-274Z	MF CAPACITOR	.27MF 5% 50V			D 3	1SS133-T2	SI DIODE		
	C 53	QEK1CM-226Z	E CAPACITOR	22MF 20% 16V			D 4	1SS133-T2	SI DIODE		
	C 54	NCB31CK-473X	C CAPACITOR				D6303	1SS133-T2	SI DIODE		
	C 57	NCB31HK-102X	C CAPACITOR				D6304	1SS133-T2	SI DIODE		
	C 58	NCB21HK-473X	C CAPACITOR				D6311	MTZJ3.9B-T2	ZENER DIODE		
	CF 1	QAX0677-001Z	C FILTER				D6312	1SS133-T2	SI DIODE		
	CF 2	QAX0677-001Z	C FILTER				D6313	1SS133-T2	SI DIODE		
	CF 3	QAX0610-001Z	C DISCRIMINATOR				D7301	SLI-343URC3F	LED	STBY RED	
	CN601	QGA2501C3-05Z	CONNECTOR				D7302	SLA-360MT3F	LED	P-ON GREEN	
	CN602	QGF1205F1-19	CONNECTOR				D7303	NSPB320BS/VQRS/	LED	VOLKEY BLUE	
	CN603	QGB2016K1-06	CONNECTOR				D7305	MTZJ7.5C-T2	ZENER DIODE		
	CN604	QGB2016K1-11	CONNECTOR				D7401	NSPW510BS/BRS/	LED		
	CN605	QGF1205F1-21	CONNECTOR				D7402	NSPW510BS/BRS/	LED		
	CN692	QGF1205F1-19	CONNECTOR				D7403	NSPW510BS/BRS/	LED		
	C4310	NCS31HJ-102X	C CAPACITOR				D7404	MTZJ7.5C-T2	ZENER DIODE		
	C4311	QEK1AM-107Z	E CAPACITOR	100MF 20% 10V			D7405	MTZJ7.5C-T2	ZENER DIODE		
	C4312	NCS21HJ-220X	C CAPACITOR				D7406	MTZJ7.5C-T2	ZENER DIODE		
	C4313	NCS21HJ-220X	C CAPACITOR				D8001	1SS133-T2	SI DIODE		
	C4314	QEK1AM-107Z	E CAPACITOR	100MF 20% 10V			D8002	1SS133-T2	SI DIODE		
	C4315	NCF21EZ-104X	C CAPACITOR				D8003	1SS133-T2	SI DIODE		
	C4316	NCF21EZ-104X	C CAPACITOR				D8011	1SS133-T2	SI DIODE		
	C4320	NCF21EZ-104X	C CAPACITOR				D8012	1SS133-T2	SI DIODE		
	C4321	QETN1HM-106Z	E CAPACITOR	10MF 20% 50V			D8013	1SS133-T2	SI DIODE		
	C4322	QETN1HM-106Z	E CAPACITOR	10MF 20% 50V			D8014	1SS133-T2	SI DIODE		

■ Electrical parts list (Micon board)

Block No. 01

△	Item	Parts number	Parts name	Remarks	Area	△	Item	Parts number	Parts name	Remarks	Area
	D8015	1SS133-T2	SI DIODE				Q9903	2SC2412K/RS/-X	TRANSISTOR		
	D8016	1SS133-T2	SI DIODE				R 1	QRE141J-560Y	C RESISTOR	56 5% 1/4W	
	D8017	1SS133-T2	SI DIODE				R 2	NRSA63J-331X	MG RESISTOR		
	D8018	1SS133-T2	SI DIODE				R 3	NRSA63J-224X	MG RESISTOR		
	D8019	1SS133-T2	SI DIODE				R 4	NRSA63J-331X	MG RESISTOR		
	D8101	MTZJ5.1C-T2	ZENER DIODE				R 5	NRSA63J-560X	MG RESISTOR		
	D8102	1SS133-T2	SI DIODE				R 6	NRSA63J-240X	MG RESISTOR		
	D8103	1SS133-T2	SI DIODE				R 10	NRSA63J-222X	MG RESISTOR		
	D9901	1SS133-T2	SI DIODE				R 13	NRSA63J-103X	MG RESISTOR		
	EP002	QNZ0136-001Z	EARTH PLATE				R 14	NRSA63J-104X	MG RESISTOR		
	EP003	QNZ0136-001Z	EARTH PLATE				R 15	NRSA63J-332X	MG RESISTOR		
	IC 1	LA1838	IC				R 16	NRSA63J-472X	MG RESISTOR		
	IC 2	LC72136N	IC			△	R 17	QRZ9005-680X	F RESISTOR	68 1/4W	
	IC431	PCM2702ED-X	IC				R 18	NRSA63J-102X	MG RESISTOR		
	IC721	GP1U271X	RM RECIVER				R 19	NRSA63J-102X	MG RESISTOR		
	IC801	MN101C49GJJ1	IC (MCU)				R 20	NRSA63J-102X	MG RESISTOR		
	J 1	QNB0014-001	ANT TERMINAL				R 21	NRSA63J-562X	MG RESISTOR		
	J4301	QNS0030-001	JACK				R 22	NRSA63J-472X	MG RESISTOR		
	J4302	QNZ0522-001	USB CONNECTOR				R 23	NRSA63J-182X	MG RESISTOR		
	J6301	QNN0018-002	PIN JACK				R 24	NRSA63J-103X	MG RESISTOR		
	K4310	QQR0779-001Z	INDUCTOR				R 25	NRSA63J-331X	MG RESISTOR		
	K4311	QQR0779-001Z	INDUCTOR				R 26	NRSA63J-222X	MG RESISTOR		
	K4312	QQR0779-001Z	INDUCTOR				R 27	NRSA63J-103X	MG RESISTOR		
	K4313	QQR0779-001Z	INDUCTOR				R 28	NRSA63J-103X	MG RESISTOR		
	K4315	NQR0269-004X	FERRITE BEADS	FOR D-			R 29	NRSA63J-103X	MG RESISTOR		
	K4316	NQR0269-004X	FERRITE BEADS	FOR D+			R 31	NRSA63J-102X	MG RESISTOR		
	K4317	NQR0269-004X	FERRITE BEADS	FOR VBUS			R 32	NRSA63J-102X	MG RESISTOR		
	K4318	QQR0779-001Z	INDUCTOR				R 33	NRSA63J-331X	MG RESISTOR		
	L 1	QQR0796-002	COIL BLOCK				R 34	NRSA63J-470X	MG RESISTOR		
	L6101	QQR0590-001	FILTER				R 35	NRSA63J-562X	MG RESISTOR		
	L6201	QQR0590-001	FILTER				R 36	NRSA63J-332X	MG RESISTOR		
	Q 1	2SC2814/4-5/-X	TRANSISTOR				R 37	NRSA63J-103X	MG RESISTOR		
	Q 5	DTA114YKA-X	TRANSISTOR				R 38	NRSA63J-563X	MG RESISTOR		
	Q6101	2SD2114K/VW/-X	TRANSISTOR				R 39	NRSA63J-563X	MG RESISTOR		
	Q6201	2SD2114K/VW/-X	TRANSISTOR				R 40	NRSA63J-243X	MG RESISTOR		
	Q6301	DTA144EKA-X	TRANSISTOR				R 41	NRSA63J-332X	MG RESISTOR		
	Q6311	2SA1037AK/R/-X	TRANSISTOR				R 60	NRSA63J-0R0X	MG RESISTOR		
	Q6312	2SC2412K/RS/-X	CHIP TRANSISTOR				R4101	NRSA02J-151X	MG RESISTOR		
	Q6320	2SA1037AK/R/-X	TRANSISTOR				R4201	NRSA02J-151X	MG RESISTOR		
	Q6321	DTC114EKA-X	TRANSISTOR				R4312	NRSA63J-105X	MG RESISTOR		
	Q7301	2SC2412K/RS/-X	CHIP TRANSISTOR				R4313	NRSA63J-152X	MG RESISTOR		
	Q7302	2SC2412K/RS/-X	CHIP TRANSISTOR				R4314	NRSA63J-220X	MG RESISTOR		
	Q7303	2SC2412K/RS/-X	CHIP TRANSISTOR				R4315	NRSA63J-220X	MG RESISTOR		
	Q7401	2SC2412K/RS/-X	TRANSISTOR				R4317	NRSA63J-221X	MG RESISTOR		
	Q7402	2SC2412K/RS/-X	TRANSISTOR				R4318	NRSA63J-221X	MG RESISTOR		
	Q7403	2SC2412K/RS/-X	TRANSISTOR				R6101	NRSA63J-101X	MG RESISTOR		
	Q7404	2SC2412K/RS/-X	TRANSISTOR				R6103	NRSA63J-102X	MG RESISTOR		
	Q7501	2SA1037AK/R/-X	TRANSISTOR				R6104	NRSA63J-392X	MG RESISTOR		
	Q7502	2SA1037AK/R/-X	TRANSISTOR				R6105	NRSA63J-183X	MG RESISTOR		
	Q7503	2SA1037AK/R/-X	TRANSISTOR				R6106	NRSA63J-222X	MG RESISTOR		
	Q7507	2SK209/G/-X	FET				R6111	NRSA63J-102X	MG RESISTOR		
	Q7508	2SK209/G/-X	FET				R6112	NRSA63J-512X	MG RESISTOR		
	Q7509	2SK209/G/-X	FET				R6114	NRSA63J-221X	MG RESISTOR		
	Q8061	2SC2668/O/-T	TRANSISTOR				R6132	NRSA63J-101X	MG RESISTOR		
	Q8062	2SC2668/O/-T	TRANSISTOR				R6201	NRSA63J-101X	MG RESISTOR		
	Q8093	2SC2412K/RS/-X	TRANSISTOR				R6203	NRSA63J-102X	MG RESISTOR		
	Q8094	2SC2412K/RS/-X	TRANSISTOR				R6204	NRSA63J-392X	MG RESISTOR		
	Q8095	DTC114YKA-X	D.TRANSISTOR				R6205	NRSA63J-183X	MG RESISTOR		
	Q8101	DTC144EKA-X	TRANSISTOR				R6206	NRSA63J-222X	MG RESISTOR		
	Q8102	DTC114YKA-X	D.TRANSISTOR				R6211	NRSA63J-102X	MG RESISTOR		
	Q8103	DTC144EKA-X	TRANSISTOR				R6212	NRSA63J-512X	MG RESISTOR		
	Q9901	2SA1037AK/R/-X	TRANSISTOR				R6214	NRSA63J-221X	MG RESISTOR		
	Q9902	DTC114EKA-X	TRANSISTOR				R6232	NRSA63J-101X	MG RESISTOR		

■ Electrical parts list (Micon board)

Block No. 01

△	Item	Parts number	Parts name	Remarks	Area	△	Item	Parts number	Parts name	Remarks	Area
	R6311	NRSA63J-390X	MG RESISTOR				R8021	NRSA63J-101X	MG RESISTOR		
	R6312	NRSA63J-102X	MG RESISTOR				R8022	NRSA63J-101X	MG RESISTOR		
	R6313	NRSA63J-273X	MG RESISTOR				R8023	NRSA63J-222X	MG RESISTOR		
	R6320	NRSA63J-103X	MG RESISTOR				R8024	NRSA63J-222X	MG RESISTOR		
	R6321	NRSA63J-102X	MG RESISTOR				R8025	NRSA63J-102X	MG RESISTOR		
	R7002	NRSA63J-202X	MG RESISTOR				R8026	NRSA63J-102X	MG RESISTOR		
	R7003	NRSA63J-152X	MG RESISTOR				R8027	NRSA63J-101X	MG RESISTOR		
	R7004	NRSA63J-182X	MG RESISTOR				R8028	NRSA63J-101X	MG RESISTOR		
	R7005	NRSA63J-222X	MG RESISTOR				R8029	NRSA63J-101X	MG RESISTOR		
	R7006	NRSA63J-332X	MG RESISTOR				R8030	NRSA63J-101X	MG RESISTOR		
	R7007	NRSA63J-512X	MG RESISTOR				R8031	NRSA63J-101X	MG RESISTOR		
	R7102	NRSA63J-202X	MG RESISTOR				R8032	NRSA63J-101X	MG RESISTOR		
	R7103	NRSA63J-152X	MG RESISTOR				R8033	NRSA63J-102X	MG RESISTOR		
	R7104	NRSA63J-182X	MG RESISTOR				R8034	NRSA63J-102X	MG RESISTOR		
	R7105	NRSA63J-222X	MG RESISTOR				R8035	NRSA63J-222X	MG RESISTOR		
	R7106	NRSA63J-332X	MG RESISTOR				R8036	NRSA63J-222X	MG RESISTOR		
	R7107	NRSA63J-512X	MG RESISTOR				R8037	NRSA63J-222X	MG RESISTOR		
	R7301	NRSA63J-821X	MG RESISTOR				R8038	NRSA63J-222X	MG RESISTOR		
	R7302	NRSA63J-181X	MG RESISTOR				R8039	NRSA63J-222X	MG RESISTOR		
	R7303	NRSA63J-221X	MG RESISTOR				R8040	NRSA63J-222X	MG RESISTOR		
	R7304	NRSA63J-221X	MG RESISTOR				R8041	NRSA63J-222X	MG RESISTOR		
	R7305	NRSA63J-221X	MG RESISTOR				R8042	NRSA63J-222X	MG RESISTOR		
	R7401	NRSA63J-391X	MG RESISTOR				R8043	NRSA63J-222X	MG RESISTOR		
	R7402	NRSA63J-391X	MG RESISTOR				R8044	NRSA63J-222X	MG RESISTOR		
	R7403	NRSA63J-391X	MG RESISTOR				R8045	NRSA63J-222X	MG RESISTOR		
	R7404	NRSA63J-391X	MG RESISTOR				R8046	NRSA63J-222X	MG RESISTOR		
	R7405	NRSA63J-391X	MG RESISTOR				R8048	NRSA63J-222X	MG RESISTOR		
	R7406	NRSA63J-391X	MG RESISTOR				R8049	NRSA63J-222X	MG RESISTOR		
	R7407	NRSA63J-391X	MG RESISTOR				R8050	NRSA63J-122X	MG RESISTOR		
	R7408	NRSA63J-391X	MG RESISTOR				R8051	NRSA63J-222X	MG RESISTOR		
	R7409	NRSA63J-391X	MG RESISTOR				R8052	NRSA63J-102X	MG RESISTOR		
	R7410	NRSA63J-103X	MG RESISTOR				R8053	NRSA63J-103X	MG RESISTOR		
	R7411	NRSA63J-222X	MG RESISTOR				R8054	NRSA63J-102X	MG RESISTOR		
	R7412	NRSA63J-222X	MG RESISTOR				R8061	NRSA63J-103X	MG RESISTOR		
	R7413	NRSA63J-102X	MG RESISTOR				R8062	NRSA63J-822X	MG RESISTOR		
	R7501	NRSA63J-103X	MG RESISTOR				R8063	NRSA63J-822X	MG RESISTOR		
	R7502	NRSA63J-103X	MG RESISTOR				R8064	NRSA63J-103X	MG RESISTOR		
	R7503	NRSA63J-103X	MG RESISTOR				R8065	NRSA63J-222X	MG RESISTOR		
	R7504	NRSA63J-475X	MG RESISTOR				R8070	NRSA63J-103X	MG RESISTOR		
	R7505	NRSA63J-475X	MG RESISTOR				R8071	NRSA63J-103X	MG RESISTOR		
	R7506	NRSA63J-475X	MG RESISTOR				R8072	NRSA63J-470X	MG RESISTOR		
	R7507	NRSA63J-475X	MG RESISTOR				R8074	NRSA63J-103X	MG RESISTOR		
	R7508	NRSA63J-475X	MG RESISTOR				R8082	NRSA63J-222X	MG RESISTOR		
	R7509	NRSA63J-475X	MG RESISTOR				R8083	NRSA63J-103X	MG RESISTOR		
	R7511	NRSA63J-153X	MG RESISTOR				R8092	NRSA63J-104X	MG RESISTOR		
	R7512	NRSA63J-472X	MG RESISTOR				R8093	NRSA63J-104X	MG RESISTOR		
	R7513	NRSA63J-103X	MG RESISTOR				R8094	NRSA63J-103X	MG RESISTOR		
	R7514	NRSA63J-203X	MG RESISTOR				R8095	NRSA63J-102X	MG RESISTOR		
	R8001	NRSA63J-222X	MG RESISTOR				R8101	NRSA63J-103X	MG RESISTOR		
	R8002	NRSA63J-222X	MG RESISTOR				R8102	NRSA63J-103X	MG RESISTOR		
	R8003	NRSA63J-102X	MG RESISTOR				R8103	NRSA63J-104X	MG RESISTOR		
	R8004	NRSA63J-102X	MG RESISTOR				R8106	NRSA63J-121X	MG RESISTOR		
	R8005	NRSA63J-102X	MG RESISTOR				R9901	QRJ146J-680X	UNF C.RESISTOR	68 5% 1/4W	
	R8006	NRSA63J-102X	MG RESISTOR				R9902	QRJ146J-680X	UNF C.RESISTOR	68 5% 1/4W	
	R8007	NRSA63J-102X	MG RESISTOR				R9903	QRJ146J-680X	UNF C.RESISTOR	68 5% 1/4W	
	R8008	NRSA63J-102X	MG RESISTOR				R9904	NRSA63J-103X	MG RESISTOR		
	R8009	NRSA63J-102X	MG RESISTOR				R9905	NRSA63J-102X	MG RESISTOR		
	R8011	NRSA63J-222X	MG RESISTOR				R9906	NRSA63J-561X	MG RESISTOR		
	R8014	NRSA63J-102X	MG RESISTOR				R9907	NRSA63J-272X	MG RESISTOR		
	R8016	NRSA63J-101X	MG RESISTOR				R9908	NRSA63J-102X	MG RESISTOR		
	R8017	NRSA63J-102X	MG RESISTOR				S7001	QSW0651-001Z	TACT SWITCH	REC START	
	R8018	NRSA63J-102X	MG RESISTOR				S7002	QSW0651-001Z	TACT SWITCH	<<	
	R8020	NRSA63J-101X	MG RESISTOR				S7003	QSW0651-001Z	TACT SWITCH	STOP	

■ Electrical parts list (Micon board)

Block No. 01

△	Item	Parts number	Parts name	Remarks	Area
	S7004	QSW0651-001Z	TACT SWITCH	>>	
	S7005	QSW0651-001Z	TACT SWITCH	LINE/USB	
	S7006	QSW0651-001Z	TACT SWITCH	VOL UP	
	S7007	QSW0651-001Z	TACT SWITCH	VOL DOWN	
	S7101	QSW0651-001Z	TACT SWITCH	CD OPEN/CLOSE	
	S7102	QSW0651-001Z	TACT SWITCH	FM/AM	
	S7103	QSW0651-001Z	TACT SWITCH	CD PLAY	
	S7104	QSW0651-001Z	TACT SWITCH	MD PLAY	
	S7105	QSW0651-001Z	TACT SWITCH	REC LEVEL	
	S7106	QSW0651-001Z	TACT SWITCH	POWER	
	S7107	QSW0651-001Z	TACT SWITCH	MD EJECT	
	T 1	QQR0793-001	IFT		
	TU 1	QAU0161-001	FRONT END		
	VR761	QVP0008-503Z	SEMI.V.RESISTOR		
	W 391	QJK008-051600	SIN CR C-B WIRE	HEADPHONE-MAIN	
	W 691	QJK005-051601	SIN CR C-B WIRE	USB -MICOM	
	X 1	QAX0402-001	CRYSTAL		
	X4301	QAX0320-001Z	CRYSTAL		
	X8061	QAX0416-001Z	CERA LOCK	8.00MHZ	
	X8071	QAX0401-001	CRYSTAL		

■ Electrical parts list (Main board)

Block No. 02

△	Item	Parts number	Parts name	Remarks	Area	△	Item	Parts number	Parts name	Remarks	Area	
	CN301	QGA2501C3-05Z	CONNECTOR				C1231	QFVF1HJ-334Z	MF CAPACITOR	.33MF 5% 50V		
	CN511	QGF1016F3-21	CONNECTOR				C1234	QETN1EM-106Z	E CAPACITOR	10MF 20% 25V		
	CN512	QGF1016C1-08	CONNECTOR				C1241	QEKC1EM-106Z	E CAPACITOR	10MF 20% 25V		
	CN661	QGF1016F3-19	CONNECTOR				C1242	QCB1HK-222Y	C CAPACITOR	2200PF 10% 50V		
	CN691	QGF1016C1-08	CONNECTOR				C1261	QENC1EM-106Z	NP E CAPACITOR	10MF 20% 25V		
	CN693	QGB2016J1-06	CONNECTOR				C3003	QCB1HK-103Y	C CAPACITOR	.010MF 10% 50V		
	CN694	QGB2016J1-11	CONNECTOR				C3004	QCB1HK-471Y	C CAPACITOR	470PF 10% 50V		
	CN695	QGF1205F1-21	CONNECTOR				C3005	QCB1HK-471Y	C CAPACITOR	470PF 10% 50V		
	CN901	QGB2016K1-11	CONNECTOR				C3101	QETN1CM-107Z	E CAPACITOR	100MF 20% 16V		
	CN903	QGA2501F1-02	CONNECTOR				C3102	QTE1C28-226Z	E CAPACITOR			
	CN904	QGB2510J1-09	CONNECTOR				C3103	QFVF1HJ-104Z	MF CAPACITOR	.10MF 5% 50V		
△	CN921	QGA7901C1-02	CONNECTOR		UB,UP,A		C3104	QETN1EM-106Z	E CAPACITOR	10MF 20% 25V		
△	CN921	QGA7901C1-04	CONNECTOR		US		C3105	QTE1C06-107Z	E CAPACITOR			
	CN991	QGB2016J1-11	CONNECTOR				C3106	QETN1HM-225Z	E CAPACITOR	2.2MF 20% 50V		
	CN994	QGB2510K2-09	CONNECTOR				C3107	QETN1HM-336Z	E CAPACITOR	33MF 20% 50V		
	CN995	QGA2501F1-13	13P CONNECTOR				C3108	QETN1HM-474Z	E CAPACITOR	.47MF 20% 50V		
	C1101	QETN1HM-106Z	E CAPACITOR	10MF 20% 50V			C3113	QETN1CM-107Z	E CAPACITOR	100MF 20% 16V		
	C1102	QFLC1HJ-823Z	M CAPACITOR	.082MF 5% 50V			C3114	QCZ0202-155Z	ML C CAPACITOR	1.5MF		
	C1103	QFLC1HJ-823Z	M CAPACITOR	.082MF 5% 50V			C3115	QETN1HM-106Z	E CAPACITOR	10MF 20% 50V		
	C1104	QFVF1HJ-474Z	MF CAPACITOR	.47MF 5% 50V			C3116	QER61HM-105Z	E CAPACITOR	1.0MF 20% 50V		
	C1105	QFVF1HJ-105Z	MF CAPACITOR	1.0MF 5% 50V			C3131	QETM1CM-477	E CAPACITOR	470MF 20% 16V		
	C1106	QFVF1HJ-104Z	MF CAPACITOR	.10MF 5% 50V			C3151	QETN1CM-227Z	E CAPACITOR	220MF 20% 16V		
	C1107	QFVF1HJ-104Z	MF CAPACITOR	.10MF 5% 50V			C3152	QCB1HK-471Y	C CAPACITOR	470PF 10% 50V		
	C1108	QFLC1HJ-122Z	M CAPACITOR	1200PF 5% 50V			C3153	QCB1HK-103Y	C CAPACITOR	.010MF 10% 50V		
	C1111	QETN1HM-105Z	E CAPACITOR	1.0MF 20% 50V			C3182	QTE1V06-106Z	E CAPACITOR			
	C1112	QETN1EM-106Z	E CAPACITOR	10MF 20% 25V			C3183	QTE1C06-476Z	E CAPACITOR			
	C1113	QETN1EM-106Z	E CAPACITOR	10MF 20% 25V			C3190	QETM1EM-828	E CAPACITOR	8200MF 20% 25V		
	C1114	QTE1V06-106Z	E CAPACITOR				C3191	QCB1HK-221Y	C CAPACITOR	220PF 10% 50V		
	C1115	QETN1EM-106Z	E CAPACITOR	10MF 20% 25V			C3192	QCB1HK-221Y	C CAPACITOR	220PF 10% 50V		
	C1116	QETN1EM-106Z	E CAPACITOR	10MF 20% 25V			C3193	QCB1HK-103Y	C CAPACITOR	.010MF 10% 50V		
	C1122	QTE1V06-106Z	E CAPACITOR				C3194	QEKC1EM-476Z	E CAPACITOR	47MF 20% 25V		
	C1123	QCB1HK-221Y	C CAPACITOR	220PF 10% 50V			C3197	QCB1HK-151Y	C CAPACITOR	150PF 10% 50V		
	C1124	QFLC1HJ-104Z	M CAPACITOR	.10MF 5% 50V			C3198	QTE1V06-476Z	E CAPACITOR			
	C1125	QFLC1HJ-104Z	M CAPACITOR	.10MF 5% 50V			C3322	QETN1EM-476Z	E CAPACITOR	47MF 20% 25V		
	C1128	QETN1HM-106Z	E CAPACITOR	10MF 20% 50V			C3511	QETN1HM-475Z	E CAPACITOR	4.7MF 20% 50V		
	C1129	QETN1HM-106Z	E CAPACITOR	10MF 20% 50V			△	C9101	QCZ9105-472	C CAPACITOR	4700PF	UB
	C1130	QFVF1HJ-334Z	MF CAPACITOR	.33MF 5% 50V			C9102	QETM1EM-108	E CAPACITOR	1000MF 20% 25V	UB	
	C1131	QFVF1HJ-334Z	MF CAPACITOR	.33MF 5% 50V			C9103	QETN1AM-107Z	E CAPACITOR	100MF 20% 10V	UB	
	C1134	QETN1EM-106Z	E CAPACITOR	10MF 20% 25V			C9201	QFLC1HJ-104Z	M CAPACITOR	.10MF 5% 50V		
	C1141	QEKC1EM-106Z	E CAPACITOR	10MF 20% 25V			C9202	QFLC1HJ-104Z	M CAPACITOR	.10MF 5% 50V		
	C1142	QCB1HK-222Y	C CAPACITOR	2200PF 10% 50V			C9203	QFLC1HJ-104Z	M CAPACITOR	.10MF 5% 50V		
	C1161	QENC1EM-106Z	NP E CAPACITOR	10MF 20% 25V			C9204	QFLC1HJ-104Z	M CAPACITOR	.10MF 5% 50V		
	C1201	QETN1HM-106Z	E CAPACITOR	10MF 20% 50V			C9205	QFLC1HJ-223Z	M CAPACITOR	.022MF 5% 50V		
	C1202	QFLC1HJ-823Z	M CAPACITOR	.082MF 5% 50V			C9206	QCB1HK-221Y	C CAPACITOR	220PF 10% 50V		
	C1203	QFLC1HJ-823Z	M CAPACITOR	.082MF 5% 50V			C9207	QCB1HK-103Y	C CAPACITOR	.010MF 10% 50V		
	C1204	QFVF1HJ-474Z	MF CAPACITOR	.47MF 5% 50V			C9208	QETN1EM-476Z	E CAPACITOR	47MF 20% 25V		
	C1205	QFVF1HJ-105Z	MF CAPACITOR	1.0MF 5% 50V			C9209	QCB1HK-223Y	C CAPACITOR	.022MF 10% 50V		
	C1206	QFVF1HJ-104Z	MF CAPACITOR	.10MF 5% 50V			C9301	QCB1HK-223Y	C CAPACITOR	.022MF 10% 50V		
	C1207	QFVF1HJ-104Z	MF CAPACITOR	.10MF 5% 50V			C9302	QFLC1HJ-104Z	M CAPACITOR	.10MF 5% 50V		
	C1208	QFLC1HJ-122Z	M CAPACITOR	1200PF 5% 50V			C9305	QFLC1HJ-104Z	M CAPACITOR	.10MF 5% 50V		
	C1211	QETN1HM-105Z	E CAPACITOR	1.0MF 20% 50V			C9307	QETM1CM-228	E CAPACITOR	2200MF 20% 16V		
	C1212	QETN1EM-106Z	E CAPACITOR	10MF 20% 25V			C9308	QETM1CM-228	E CAPACITOR	2200MF 20% 16V		
	C1213	QETN1EM-106Z	E CAPACITOR	10MF 20% 25V			C9601	QCB1HK-221Y	C CAPACITOR	220PF 10% 50V		
	C1214	QTE1V06-106Z	E CAPACITOR				C9602	QCB1HK-103Y	C CAPACITOR	.010MF 10% 50V		
	C1215	QETN1EM-106Z	E CAPACITOR	10MF 20% 25V			C9603	QETN1CM-107Z	E CAPACITOR	100MF 20% 16V		
	C1216	QETN1EM-106Z	E CAPACITOR	10MF 20% 25V			C9701	QCB1HK-151Y	C CAPACITOR	150PF 10% 50V		
	C1222	QTE1V06-106Z	E CAPACITOR				C9702	QETN1CM-106Z	E CAPACITOR	10MF 20% 16V		
	C1223	QCB1HK-221Y	C CAPACITOR	220PF 10% 50V			C9703	QETN1CM-476Z	E CAPACITOR	47MF 20% 16V		
	C1224	QFLC1HJ-104Z	M CAPACITOR	.10MF 5% 50V			C9801	QETN1CM-106Z	E CAPACITOR	10MF 20% 16V		
	C1225	QFLC1HJ-104Z	M CAPACITOR	.10MF 5% 50V			D1101	1SS133-T2	SI DIODE			
	C1228	QETN1HM-106Z	E CAPACITOR	10MF 20% 50V			D1102	1SS133-T2	SI DIODE			
	C1229	QETN1HM-106Z	E CAPACITOR	10MF 20% 50V			D1201	1SS133-T2	SI DIODE			
	C1230	QFVF1HJ-334Z	MF CAPACITOR	.33MF 5% 50V			D1202	1SS133-T2	SI DIODE			

■ Electrical parts list (Main board)

Block No. 02

△	Item	Parts number	Parts name	Remarks	Area	△	Item	Parts number	Parts name	Remarks	Area
	D3105	MTZJ6.8B-T2	ZENER DIODE				Q1261	KRA109M-T	D.TRANSISTOR		
	D3106	1SS133-T2	SI DIODE				Q1262	KRA109M-T	D.TRANSISTOR		
	D3107	1SS133-T2	SI DIODE				Q2001	2SC3576-JVC-T	TRANSISTOR		
	D3181	MTZJ3.3B-T2	ZENER DIODE				Q3001	KRA101M-T	TRANSISTOR		
	D3191	MTZJ9.1A-T2	ZENER DIODE				Q3181	KTA1273/Y/-T	TRANSISTOR		
	D3321	1SS133-T2	SI DIODE				Q3182	2SC2785/FE/-T	TRANSISTOR		
	D9101	1SS133-T2	SI DIODE		UB	△	Q3191	KTA1046/Y/	TRANSISTOR		
	D9102	1SS133-T2	SI DIODE		UB		Q3192	2SC2785/FE/-T	TRANSISTOR		
	D9103	1N4003S-T5	SI DIODE		UB		Q3193	2SC2785/FE/-T	TRANSISTOR		
	D9104	MTZJ5.6A-T2	ZENER DIODE		UB		Q3194	KRA102M-T	D.TRANSISTOR		
	D9105	1SS133-T2	SI DIODE		UB		Q3511	KRC109M-T	D.TRANSISTOR		
△	D9201	D5SBA20-S1	SI DIODE				Q9101	KTA1046/Y/	TRANSISTOR		UB
	D9202	MTZJ8.2B-T2	DIODE				Q9102	2SC2785/FE/-T	TRANSISTOR		UB
△	D9301	1N4003S-T5	SI DIODE				Q9103	2SC2785/FE/-T	TRANSISTOR		UB
△	D9302	1N4003S-T5	SI DIODE				Q9104	2SC2785/FE/-T	TRANSISTOR		UB
△	D9303	1N4003S-T5	SI DIODE			△	Q9201	KTB772/Y/	TRANSISTOR		
△	D9304	1N4003S-T5	SI DIODE				Q9202	2SC2785/FE/-T	TRANSISTOR		
△	D9305	1N4003S-T5	SI DIODE				Q9203	2SC2785/FE/-T	TRANSISTOR		
△	D9306	1N4003S-T5	SI DIODE			△	Q9601	KTB772/Y/	TRANSISTOR		
△	D9307	1N4003S-T5	SI DIODE				Q9602	2SC2785/FE/-T	TRANSISTOR		
△	D9308	1N4003S-T5	SI DIODE				Q9603	2SC2785/FE/-T	TRANSISTOR		
△	D9309	1N4003S-T5	SI DIODE				Q9604	KRA102M-T	D.TRANSISTOR		
△	D9310	1N4003S-T5	SI DIODE			△	Q9701	KTB772/Y/	TRANSISTOR		
	D9401	1SS133-T2	SI.DIODE		UP,US,A		Q9702	2SC2785/FE/-T	TRANSISTOR		
	D9402	1SS133-T2	SI.DIODE		UP,US,A		Q9703	KRA102M-T	D.TRANSISTOR		
	D9601	MTZJ5.1C-T2	ZENER DIODE				Q9801	2SA952/LK/-T	TRANSISTOR		
	D9602	MTZJ6.2B-T2	ZENER DIODE				Q9802	2SC2785/FE/-T	TRANSISTOR		
	D9701	MTZJ6.2C-T2	Z DIODE			△	RY911	QSK0124-001	RELAY		UB
	EP301	QNZ0136-001Z	EARTH PLATE				R1101	QRE141J-182Y	C RESISTOR	1.8K 5% 1/4W	
△	FT901	QNG0003-001Z	FUSE CLIP	FOR F9001			R1102	QRE141J-182Y	C RESISTOR	1.8K 5% 1/4W	
△	FT902	QNG0003-001Z	FUSE CLIP	FOR F9001			R1103	QRE141J-153Y	C RESISTOR	15K 5% 1/4W	
△	FT903	QNG0003-001Z	FUSE CLIP	FOR F9002			R1104	QRE141J-332Y	C RESISTOR	3.3K 5% 1/4W	
△	FT904	QNG0003-001Z	FUSE CLIP	FOR F9002			R1105	QRE141J-752Y	C RESISTOR	7.5K 5% 1/4W	
△	FT909	QNG0003-001Z	FUSE CLIP	FOR F9001			R1106	QRE141J-224Y	C RESISTOR	220K 5% 1/4W	
△	FT910	QNG0003-001Z	FUSE CLIP	FOR F9001			R1120	QRE141J-274Y	C RESISTOR	270K 5% 1/4W	
△	IC301	LA4628	IC				R1121	QRE141J-103Y	C RESISTOR	10K 5% 1/4W	
	IC302	LC75345M-X	IC				R1122	QRE141J-183Y	C RESISTOR	18K 5% 1/4W	
	J3001	QNB0090-001	SPK TERMINAL				R1123	QRE141J-102Y	C RESISTOR	1.0K 5% 1/4W	
	J3321	GP1FA550RZ	OPT RECEIVER				R1124	QRE141J-2R2Y	C RESISTOR	2.2 5% 1/4W	
△	J9001	QNC0081-001	AC INLET				R1125	QRE141J-2R2Y	C RESISTOR	2.2 5% 1/4W	
	K3131	QQR0621-001Z	FERRITE BEADS	AGND			R1126	QRE141J-222Y	C RESISTOR	2.2K 5% 1/4W	
	K3137	QQR0621-001Z	FERRITE BEADS	MGND			R1127	QRE141J-222Y	C RESISTOR	2.2K 5% 1/4W	
	K3151	QQR0621-001Z	FERRITE BEADS	D+5V			R1128	QRE141J-471Y	C RESISTOR	470 5% 1/4W	
	K3152	QQR0621-001Z	FERRITE BEADS	DGND			R1129	QRE141J-152Y	C RESISTOR	1.5K 5% 1/4W	
	K3153	QQR0621-001Z	FERRITE BEADS	AGND			R1130	QRE141J-152Y	C RESISTOR	1.5K 5% 1/4W	
	K3154	QQR0621-001Z	FERRITE BEADS	MGND			R1133	QRE141J-102Y	C RESISTOR	1.0K 5% 1/4W	
	K5001	QQR0621-001Z	FERRITE BEADS				R1134	QRE141J-472Y	C RESISTOR	4.7K 5% 1/4W	
	K5002	QQR0621-001Z	FERRITE BEADS				R1142	QRE141J-102Y	C RESISTOR	1.0K 5% 1/4W	
	K5003	QQR0621-001Z	FERRITE BEADS				R1143	QRE141J-101Y	C RESISTOR	100 5% 1/4W	
	K5004	QQR0621-001Z	FERRITE BEADS				R1144	QRE141J-221Y	C RESISTOR	220 5% 1/4W	
	K5005	QQR0621-001Z	FERRITE BEADS				R1151	QRE141J-221Y	C RESISTOR	220 5% 1/4W	
	K5006	QQR0621-001Z	FERRITE BEADS				R1161	QRE141J-562Y	C RESISTOR	5.6K 5% 1/4W	
	K5007	QQR0621-001Z	FERRITE BEADS				R1162	QRE141J-562Y	C RESISTOR	5.6K 5% 1/4W	
	K5008	QQR0621-001Z	FERRITE BEADS				R1201	QRE141J-182Y	C RESISTOR	1.8K 5% 1/4W	
△	LF901	QQR1145-001	LINE FILTER				R1202	QRE141J-182Y	C RESISTOR	1.8K 5% 1/4W	
	L3151	QQL244K-100Z	INDUCTOR				R1203	QRE141J-153Y	C RESISTOR	15K 5% 1/4W	
	L3152	QQL244K-100Z	INDUCTOR				R1204	QRE141J-332Y	C RESISTOR	3.3K 5% 1/4W	
	L3321	QQL231K-4R7Y	INDUCTOR				R1205	QRE141J-752Y	C RESISTOR	7.5K 5% 1/4W	
	Q1001	2SC3576-JVC-T	TRANSISTOR				R1206	QRE141J-224Y	C RESISTOR	220K 5% 1/4W	
	Q1101	KTC3199/GL/-T	TRANSISTOR				R1220	QRE141J-274Y	C RESISTOR	270K 5% 1/4W	
	Q1161	KRA109M-T	D.TRANSISTOR				R1221	QRE141J-103Y	C RESISTOR	10K 5% 1/4W	
	Q1162	KRA109M-T	D.TRANSISTOR				R1222	QRE141J-183Y	C RESISTOR	18K 5% 1/4W	
	Q1201	KTC3199/GL/-T	TRANSISTOR				R1223	QRE141J-102Y	C RESISTOR	1.0K 5% 1/4W	

■ Electrical parts list (Main board)

Block No. 02

△	Item	Parts number	Parts name	Remarks	Area
	R1224	QRE141J-2R2Y	C RESISTOR	2.2 5% 1/4W	
	R1225	QRE141J-2R2Y	C RESISTOR	2.2 5% 1/4W	
	R1226	QRE141J-222Y	C RESISTOR	2.2K 5% 1/4W	
	R1227	QRE141J-222Y	C RESISTOR	2.2K 5% 1/4W	
	R1228	QRE141J-471Y	C RESISTOR	470 5% 1/4W	
	R1229	QRE141J-152Y	C RESISTOR	1.5K 5% 1/4W	
	R1230	QRE141J-152Y	C RESISTOR	1.5K 5% 1/4W	
	R1233	QRE141J-102Y	C RESISTOR	1.0K 5% 1/4W	
	R1234	QRE141J-472Y	C RESISTOR	4.7K 5% 1/4W	
	R1242	QRE141J-102Y	C RESISTOR	1.0K 5% 1/4W	
	R1243	QRE141J-101Y	C RESISTOR	100 5% 1/4W	
	R1244	QRE141J-221Y	C RESISTOR	220 5% 1/4W	
	R1251	QRE141J-221Y	C RESISTOR	220 5% 1/4W	
	R1261	QRE141J-562Y	C RESISTOR	5.6K 5% 1/4W	
	R1262	QRE141J-562Y	C RESISTOR	5.6K 5% 1/4W	
	R3101	QRE141J-222Y	C RESISTOR	2.2K 5% 1/4W	
	R3102	QRE141J-222Y	C RESISTOR	2.2K 5% 1/4W	
	R3103	QRE141J-222Y	C RESISTOR	2.2K 5% 1/4W	
	R3106	QRE141J-103Y	C RESISTOR	10K 5% 1/4W	
	R3110	QRE141J-513Y	C RESISTOR	51K 5% 1/4W	
	R3111	QRJ146J-4R7X	UNF C.RESISTOR	4.7 5% 1/4W	
	R3112	QRE141J-104Y	C RESISTOR	100K 5% 1/4W	
	R3113	QRE141J-103Y	C RESISTOR	10K 5% 1/4W	
	R3132	QRE141J-101Y	C RESISTOR	100 5% 1/4W	
	R3133	QRE141J-101Y	C RESISTOR	100 5% 1/4W	
	R3134	QRE141J-101Y	C RESISTOR	100 5% 1/4W	
	R3135	QRJ146J-1R0X	UNF C.RESISTOR	1.0 5% 1/4W	
	R3136	QRJ146J-1R0X	UNF C.RESISTOR	1.0 5% 1/4W	
	R3151	QRE141J-101Y	C RESISTOR	100 5% 1/4W	
	R3152	QRE141J-101Y	C RESISTOR	100 5% 1/4W	
	R3153	QRE141J-101Y	C RESISTOR	100 5% 1/4W	
	R3154	QRE141J-101Y	C RESISTOR	100 5% 1/4W	
	R3155	QRE141J-101Y	C RESISTOR	100 5% 1/4W	
	R3156	QRE141J-101Y	C RESISTOR	100 5% 1/4W	
	R3181	QRE141J-102Y	C RESISTOR	1.0K 5% 1/4W	
	R3182	QRE141J-153Y	C RESISTOR	15K 5% 1/4W	
	R3183	QRE141J-103Y	C RESISTOR	10K 5% 1/4W	
	R3191	QRE141J-471Y	C RESISTOR	470 5% 1/4W	
	R3192	QRE141J-682Y	C RESISTOR	6.8K 5% 1/4W	
	R3193	QRE141J-472Y	C RESISTOR	4.7K 5% 1/4W	
	R3194	QRE141J-222Y	C RESISTOR	2.2K 5% 1/4W	
	R3195	QRE141J-681Y	C RESISTOR	680 5% 1/4W	
	R3196	QRE141J-681Y	C RESISTOR	680 5% 1/4W	
	R3197	QRE141J-681Y	C RESISTOR	680 5% 1/4W	
	R3199	QRJ146J-2R2X	UNF C.RESISTOR	2.2 5% 1/4W	
	R3301	QRE141J-513Y	C RESISTOR	51K 5% 1/4W	
	R3302	QRE141J-683Y	C RESISTOR	68K 5% 1/4W	
	R3303	QRE141J-273Y	C RESISTOR	27K 5% 1/4W	
	R3304	QRE141J-683Y	C RESISTOR	68K 5% 1/4W	
	R3305	QRE141J-473Y	C RESISTOR	47K 5% 1/4W	
	R3306	QRE141J-683Y	C RESISTOR	68K 5% 1/4W	
	R3321	QRE141J-101Y	C RESISTOR	100 5% 1/4W	
	R5101	QRE141J-333Y	C RESISTOR	33K 5% 1/4W	
	R5102	QRE141J-473Y	C RESISTOR	47K 5% 1/4W	
	R5201	QRE141J-333Y	C RESISTOR	33K 5% 1/4W	
	R5202	QRE141J-473Y	C RESISTOR	47K 5% 1/4W	
	R9101	QRE141J-103Y	C RESISTOR	10K 5% 1/4W	UB
	R9102	QRE141J-102Y	C RESISTOR	1.0K 5% 1/4W	UB
	R9103	QRE141J-222Y	C RESISTOR	2.2K 5% 1/4W	UB
	R9104	QRE141J-332Y	C RESISTOR	3.3K 5% 1/4W	UB
	R9105	QRE141J-102Y	C RESISTOR	1.0K 5% 1/4W	UB
	R9106	QRE141J-102Y	C RESISTOR	1.0K 5% 1/4W	UB
	R9201	QRE141J-681Y	C RESISTOR	680 5% 1/4W	

△	Item	Parts number	Parts name	Remarks	Area
	R9202	QRE141J-681Y	C RESISTOR	680 5% 1/4W	
	R9203	QRE141J-681Y	C RESISTOR	680 5% 1/4W	
	R9204	QRE141J-681Y	C RESISTOR	680 5% 1/4W	
	R9205	QRE141J-472Y	C RESISTOR	4.7K 5% 1/4W	
	R9206	QRE141J-272Y	C RESISTOR	2.7K 5% 1/4W	
	R9207	QRE141J-681Y	C RESISTOR	680 5% 1/4W	
	R9301	QRE141J-223Y	C RESISTOR	22K 5% 1/4W	
	R9401	QRE141J-103Y	C RESISTOR	10K 5% 1/4W	UP,US,A
	R9402	QRE141J-103Y	C RESISTOR	10K 5% 1/4W	UP,US,A
	R9601	QRE141J-221Y	C RESISTOR	220 5% 1/4W	
	R9602	QRE141J-221Y	C RESISTOR	220 5% 1/4W	
	R9603	QRE141J-471Y	C RESISTOR	470 5% 1/4W	
	R9604	QRE141J-472Y	C RESISTOR	4.7K 5% 1/4W	
	R9605	QRE141J-272Y	C RESISTOR	2.7K 5% 1/4W	
	R9606	QRE141J-681Y	C RESISTOR	680 5% 1/4W	
	R9607	QRJ146J-1R0X	UNF C.RESISTOR	1.0 5% 1/4W	
	R9608	QRJ146J-1R0X	UNF C.RESISTOR	1.0 5% 1/4W	
	R9701	QRE141J-221Y	C RESISTOR	220 5% 1/4W	
	R9702	QRE141J-221Y	C RESISTOR	220 5% 1/4W	
	R9703	QRE141J-183Y	C RESISTOR	18K 5% 1/4W	
	R9704	QRE141J-822Y	C RESISTOR	8.2K 5% 1/4W	
	R9705	QRJ146J-1R0X	UNF C.RESISTOR	1.0 5% 1/4W	
	R9706	QRJ146J-1R0X	UNF C.RESISTOR	1.0 5% 1/4W	
	R9801	QRE141J-102Y	C RESISTOR	1.0K 5% 1/4W	
△	S9001	VMZ0126-003	SELECT SWITCH		US
△	T9102	QQT0253-002	POWER TRANS		UB
	W 905	WJK0124-001A	SIN CR C-B WIRE	TRANS 2ND-REG P	
△	W 911	WJK0123-001A	SIN CR C-B WIRE	TRANS PRIM-AC I	UB,UP,A
△	W 911	WJK0137-001A	CONN.WIRE ASSY		US

■ Electrical parts list (CD servo board)

Block No. 03

△	Item	Parts number	Parts name	Remarks	Area
	C 254	QERF1AM-476Z	E CAPACITOR	47MF 20% 10V	
	C 255	NCB31CK-104X	C CAPACITOR		
	C 256	NCB31CK-104X	C CAPACITOR		
	C 271	NCS31HJ-101X	C.CAPA. C.M		
	C 272	NCS31HJ-101X	C.CAPA. C.M		
	C 273	NCB31CK-104X	C CAPACITOR		
	C 291	NCB21CK-105X	C CAPACITOR		
	C 292	NCB21CK-105X	C CAPACITOR		
	C 601	NCB31HK-102X	C CAPACITOR		
	C 602	NCB31HK-102X	C CAPACITOR		
	C 603	NCB31EK-223X	C CAPACITOR		
	C 604	NCB31EK-223X	C CAPACITOR		
	C 605	NCS31HJ-271X	C CAPACITOR		
	C 606	NCS31HJ-820X	C CAPACITOR		
	C 610	NCB31CK-563X	C CAPACITOR		
	C 611	NCB21CK-104X	C.CAPA. C.M		
	C 612	QEK1HM-104Z	E CAPACITOR	.10MF 20% 50V	
	C 614	NCB31CK-393X	C CAPACITOR		
	C 615	NCB31HK-272X	C CAPACITOR		
	C 616	NCB31HK-681X	C CAPACITOR		
	C 617	NCB31HK-331X	C CAPACITOR		
	C 621	NCB31CK-104X	C CAPACITOR		
	C 622	QEK0JM-107Z	E CAPACITOR	100MF 20% 6.3V	
	C 623	NCF21CZ-105X	C CAPACITOR		
	C 624	QEK0JM-107Z	E CAPACITOR	100MF 20% 6.3V	
	C 631	QEK1CM-106Z	E CAPACITOR	10MF 20% 16V	
	C 632	NCF21CZ-105X	C CAPACITOR		
	C 633	NCB31EK-223X	C CAPACITOR		
	C 651	NCS31HJ-1R0X	C.CAPA. C.M		
	C 652	NCS31HJ-1R0X	C.CAPA. C.M		
	C 653	NCB31AK-334X	C.CAPA. C.M		
	C 655	NCB31CK-104X	C CAPACITOR		
	C 656	NCB31CK-104X	C CAPACITOR		
	C 657	QEK0JM-107Z	E CAPACITOR	100MF 20% 6.3V	
	C 658	NCB31CK-104X	C CAPACITOR		
	C 661	NCS31HJ-471X	C CAPACITOR		
	C 663	NCB31EK-223X	C CAPACITOR		
	C 664	NCB31EK-223X	C CAPACITOR		
	C 665	NCB21CK-154X	C.CAPACITOR		
	C 667	NCB21CK-474X	C CAPACITOR		
	C 668	NCB31CK-473X	C CAPACITOR		
	C 673	QER60JM-107Z	E CAPACITOR	100MF 20% 6.3V	
	C 676	NCB31CK-104X	C CAPACITOR		
	C 677	NCB31CK-104X	C CAPACITOR		
	C 678	NCB31CK-104X	C CAPACITOR		
	C 679	QEK0JM-107Z	E CAPACITOR	100MF 20% 6.3V	
	C 680	NCB31CK-104X	C CAPACITOR		
	C 681	NCS31HJ-6R0X	C CAPACITOR		
	C 682	NCS31HJ-150X	C CAPACITOR		
	C 683	NCS31HJ-220X	C CAPACITOR		
	C 801	NCB31EK-223X	C CAPACITOR		
	C 802	NCS31HJ-102X	C CAPACITOR		
	C 811	NCS31HJ-391X	C CAPACITOR		
	C 812	NCS31HJ-391X	C CAPACITOR		
	C 813	NCS31HJ-391X	C CAPACITOR		
	C 814	NCS31HJ-391X	C CAPACITOR		
	C 815	NCB21AK-105X	C CAPACITOR		
	C 816	NCB20JK-155X	C.CAPA. C.M		
	C 817	NCF21CZ-105X	C CAPACITOR		
	C 818	NCF21CZ-105X	C CAPACITOR		
	C 821	NCF21CZ-105X	C CAPACITOR		
	C 822	QERF1AM-227Z	E CAPACITOR	220MF 20% 10V	
	C 861	NCB31HK-102X	C CAPACITOR		

△	Item	Parts number	Parts name	Remarks	Area
	C 862	NCB31HK-102X	C CAPACITOR		
	C 863	NCB31HK-272X	C CAPACITOR		
	C 864	NCB31HK-272X	C CAPACITOR		
	CN601	QGF1037F1-15W	CONNECTOR	PICK UP/TR.MECH	
	CN605	QGF1016F2-04W	CONNECTOR	CD TEXT	
	CN606	QGF1016F2-08W	CONNECTOR	4T I/F	
	CN651	QGF1016F3-19	CONNECTOR	MAIN	
	D 251	DA204U-X	DIODE		
	D 292	MA112-X	DIODE		
	D 603	1SS355-X	DIODE C.M		
	HL251	VYH7653-002	IC HOLDER	FOR IC251	
	IC251	UPD780024AGKB21	IC	MICOM	
	IC291	XC62HR3502P-X	IC	3.5VREG	
	IC601	AN22000A-W	I.C C.M	RF AMP	
	IC651	MN662790RSC	IC	DSP & DAC	
	IC801	LA6541-X	IC	PU DRIVE	
	K 655	NQR0007-002X	FERRITE BEADS	TX	
	K 656	NQR0251-004X	FERRITE BEADS	SRDATA	
	K 657	NQR0251-004X	FERRITE BEADS	LRCK	
	K 658	NQR0251-004X	FERRITE BEADS	BCLK	
	Q 631	2SA1037AK/RS/-X	TRANSISTOR	APC	
	Q 651	DTC114EUA-X	TRANSISTOR		
	Q 652	DTC114EUA-X	TRANSISTOR	RF EQ	
	Q 673	DTA114EKA-X	DIGITAL.TRANSIS	IREF CHANGE	
	R 251	NRSA63J-102X	MG RESISTOR		
	R 252	NRSA63J-102X	MG RESISTOR		
	R 253	NRSA63J-102X	MG RESISTOR		
	R 254	NRSA63J-102X	MG RESISTOR		
	R 255	NRSA63J-102X	MG RESISTOR		
	R 256	NRSA63J-102X	MG RESISTOR		
	R 257	NRSA63J-102X	MG RESISTOR		
	R 258	NRSA63J-102X	MG RESISTOR		
	R 259	NRSA63J-102X	MG RESISTOR		
	R 260	NRSA63J-102X	MG RESISTOR		
	R 261	NRSA63J-0R0X	MG RESISTOR		
	R 262	NRSA63J-102X	MG RESISTOR		
	R 263	NRSA63J-102X	MG RESISTOR		
	R 264	NRSA63J-103X	MG RESISTOR		
	R 265	NRSA63J-183X	MG RESISTOR		
	R 271	NRSA63J-103X	MG RESISTOR		
	R 272	NRSA63J-103X	MG RESISTOR		
	R 273	NRSA63J-103X	MG RESISTOR		
	R 274	NRSA63J-682X	MG RESISTOR		
	R 275	NRSA63J-103X	MG RESISTOR		
	R 281	NRSA63J-102X	MG RESISTOR		
	R 282	NRSA63J-102X	MG RESISTOR		
	R 283	NRSA63J-101X	MG RESISTOR		
	R 284	NRSA63J-102X	MG RESISTOR		
	R 285	NRSA63J-102X	MG RESISTOR		
	R 291	NRSA63J-103X	MG RESISTOR		
	R 292	NRSA63J-1R0X	MG RESISTOR		
	R 293	NRSA63J-1R0X	MG RESISTOR		
	R 601	NRSA63J-224X	MG RESISTOR		
	R 602	NRSA63J-823X	MG RESISTOR		
	R 603	NRSA63J-393X	MG RESISTOR		
	R 604	NRSA63J-224X	MG RESISTOR		
	R 607	NRSA63J-473X	MG RESISTOR		
	R 608	NRSA63J-473X	MG RESISTOR		
	R 611	NRSA63J-562X	MG RESISTOR		
	R 613	NRSA63J-562X	MG RESISTOR		
	R 617	NRSA63J-332X	MG RESISTOR		
	R 631	NRSA63J-2R2X	MG RESISTOR		
	R 632	NRSA63J-3R9X	MG RESISTOR		

■ Electrical parts list (CD servo board)

Block No. 03

△	Item	Parts number	Parts name	Remarks	Area
	R 634	NRSA63J-3R9X	MG RESISTOR		
	R 635	NRSA63J-100X	MG RESISTOR		
	R 636	NRSA63J-151X	MG RESISTOR		
	R 651	NRSA63J-102X	MG RESISTOR		
	R 652	NRSA63J-102X	MG RESISTOR		
	R 653	NRSA63J-102X	MG RESISTOR		
	R 654	NRSA63J-102X	MG RESISTOR		
	R 659	NRSA63J-203X	MG RESISTOR		
	R 661	NRSA63J-473X	MG RESISTOR		
	R 662	NRSA63J-683X	MG RESISTOR		
	R 663	NRSA63J-683X	MG RESISTOR		
	R 664	NRSA63J-331X	MG RESISTOR		
	R 665	NRSA63J-101X	MG RESISTOR		
	R 666	NRSA02J-101X	MG RESISTOR		
	R 667	NRSA63J-4R7X	MG RESISTOR		
	R 668	NRSA63J-155X	MG RESISTOR		
	R 669	NRSA63J-562X	MG RESISTOR		
	R 671	NRSA63J-684X	MG RESISTOR		
	R 673	NRSA63J-683X	MG RESISTOR		
	R 675	NRSA63J-100X	MG RESISTOR		
	R 677	NRSA63J-102X	MG RESISTOR		
	R 678	NRSA63J-102X	MG RESISTOR		
	R 679	NRSA63J-102X	MG RESISTOR		
	R 682	NRSA63J-102X	MG RESISTOR		
	R 683	NRSA63J-105X	MG RESISTOR		
	R 685	NRSA63J-683X	MG RESISTOR		
	R 801	NRSA63J-272X	MG RESISTOR		
	R 802	NRSA63J-152X	MG RESISTOR		
	R 803	NRSA63J-472X	MG RESISTOR		
	R 804	NRSA63J-103X	MG RESISTOR		
	R 805	NRSA63J-123X	MG RESISTOR		
	R 808	NRSA63J-183X	MG RESISTOR		
	R 809	NRSA63J-152X	MG RESISTOR		
	R 811	NRSA63J-473X	MG RESISTOR		
	R 812	NRSA63J-152X	MG RESISTOR		
	R 813	NRSA63J-182X	MG RESISTOR		
	R 861	NRSA63J-681X	MG RESISTOR		
	R 862	NRSA63J-681X	MG RESISTOR		
	R 863	NRSA63J-561X	MG RESISTOR		
	R 864	NRSA63J-561X	MG RESISTOR		
	SW101	QSW0927-001	SWITCH	REST SW	
	SW102	QSW0931-001	SWITCH	TRAY SW	
	X 251	QAX0664-001Z	C OSCILLATOR	FOR IC251 8.38M	
	X 651	NAX0476-001X	CRYSTAL	FOR IC651	

■ Electrical parts list (MD servo control board)

Block No. 04

△	Item	Parts number	Parts name	Remarks	Area
	C 300	NCF31CZ-104X	C CAPACITOR		
	C 302	NCF31CZ-104X	C CAPACITOR		
	C 307	NCB31HK-222X	C CAPACITOR		
	C 310	NCB31HK-102X	C CAPACITOR		
	C 311	NCF21CZ-105X	C CAPACITOR		
	C 312	NEA70GM-476X	E CAPACITOR		
	C 314	NCB31CK-223X	C CAPACITOR		
	C 315	NCB31HK-102X	C CAPACITOR		
	C 316	NCF21CZ-105X	C CAPACITOR		
	C 318	NCB31HK-682X	C CAPACITOR		
	C 319	NCB31CK-333X	C CAPACITOR		
	C 320	NCB21AK-105X	C CAPACITOR		
	C 321	NCB31HK-472X	C CAPACITOR		
	C 322	NCB21AK-105X	C CAPACITOR		
	C 323	NCB31HK-682X	C CAPACITOR		
	C 324	NCB21CK-224X	C CAPACITOR		
	C 325	NCB31CK-103X	C CAPACITOR		
	C 326	NCB31CK-223X	C CAPACITOR		
	C 327	NCB31CK-104X	C CAPACITOR		
	C 328	NCB31CK-104X	C CAPACITOR		
	C 330	NCF31CZ-104X	C CAPACITOR		
	C 333	NCB21CK-154X	C CAPACITOR		
	C 334	NCF31CZ-104X	C CAPACITOR		
	C 340	NCB31CK-223X	C CAPACITOR		
	C 341	NCB31CK-223X	C CAPACITOR		
	C 342	NCF31CZ-104X	C CAPACITOR		
	C 350	NEA70GM-476X	E CAPACITOR		
	C 351	NCF21CZ-105X	C CAPACITOR		
	C 352	NEA70GM-476X	E CAPACITOR		
	C 353	NCF21CZ-105X	C CAPACITOR		
	C 354	NCF21CZ-105X	C CAPACITOR		
	C 355	NCF31CZ-104X	C CAPACITOR		
	C 358	NCF31CZ-104X	C CAPACITOR		
	C 359	NCF31CZ-104X	C CAPACITOR		
	C 361	NCF31CZ-104X	C CAPACITOR		
	C 375	NCB31CK-103X	C CAPACITOR		
	C 376	NCB21CK-474X	C CAPACITOR		
	C 377	NCB31HK-471X	C CAPACITOR		
	C 378	NCS31HJ-330X	C CAPACITOR		
	C 379	NCB21CK-474X	C CAPACITOR		
	C 380	NCB31CK-153X	C CAPACITOR		
	C 400	NEAD1CM-226X	E CAPACITOR		
	C 401	NEAD0JM-107X	E CAPACITOR		
	C 402	NCB31HK-331X	C CAPACITOR		
	C 403	NEAD0GM-476X	E CAPACITOR		
	C 407	NCS31HJ-101X	C CAPACITOR		
	C 409	NCB31CK-104X	C CAPACITOR		
	C 411	NCF21CZ-105X	C CAPACITOR		
	C 412	NCF31CZ-104X	C CAPACITOR		
	C 421	NCB31HK-561X	C CAPACITOR		
	C 423	NCB31HK-561X	C CAPACITOR		
	C 425	NCB31HK-561X	C CAPACITOR		
	C 427	NCB31HK-561X	C CAPACITOR		
	C 429	NCB31HK-392X	C CAPACITOR		
	C 431	NCB31HK-392X	C CAPACITOR		
	C 433	NCB31HK-562X	C CAPACITOR		
	C 435	NCB31HK-562X	C CAPACITOR		
	C 437	NCB31CK-103X	C CAPACITOR		
	C 439	NCB31CK-103X	C CAPACITOR		
	C 450	NEA71CM-107X	E CAPACITOR		
	C 451	NEA70GM-107X	E CAPACITOR		
	C 452	NCF31CZ-104X	C CAPACITOR		
	C 453	NCF31CZ-104X	C CAPACITOR		

△	Item	Parts number	Parts name	Remarks	Area
	C 455	NDC32AJ-101X	C CAPACITOR		
	C 481	NCF21CZ-105X	C CAPACITOR		
	C 483	NCF31CZ-104X	C CAPACITOR		
	C 484	NEAD1CM-106X	E CAPACITOR		
	C 485	NCF31CZ-104X	C CAPACITOR		
	C 486	NCF31CZ-104X	C CAPACITOR		
	C 487	NCF31CZ-104X	C CAPACITOR		
	C 488	NEAD1CM-106X	E CAPACITOR		
	C 489	NEAD1VM-475X	E CAPACITOR		
	C 490	NCB31CK-103X	C CAPACITOR		
	C 491	NCB31HK-102X	C CAPACITOR		
	C 492	NCB31HK-102X	C CAPACITOR		
	C 496	NCF21CZ-105X	C CAPACITOR		
	C 497	NCF31CZ-104X	C CAPACITOR		
	C 501	NCS31HJ-180X	C CAPACITOR		
	C 502	NCS31HJ-180X	C CAPACITOR		
	C 511	NCF31CZ-104X	C CAPACITOR		
	C 512	NCF31CZ-104X	C CAPACITOR		
	C 515	NCF31CZ-104X	C CAPACITOR		
	C 590	NCS31HJ-101X	C CAPACITOR		
	C 591	NCF31CZ-104X	C CAPACITOR		
	CN321	QGF0501F2-21X	CONNECTOR	FOR PICK-UP A/S	
	CN407	QGF1006F2-08W	SOCKET	FOR CAM SW	
	CN408	QGF1006F2-09W	CONNECTOR	FOR TRAMECHA PW	
	CN451	QGF1016F2-04W	CONNECTOR	FOR HEAD	
	CN521	QGF1006F2-21W	SOCKET	FOR SYSTEM	
	CN522	QGF1006F2-08W	SOCKET	FOR CD	
	CN601	QGF1006F2-09W	CONNECTOR		
	D 310	1SS355-X	DIODE	TEMP DET	
	D 451	RB160L-60-X	SB DIODE		
	D 452	RB160L-60-X	SB DIODE		
	IC310	CXA2523AR	IC	RF	
	IC340	TC7S08F-W	IC	APC PWM BUFFER	
	IC350	CXD2662R	IC	MD DSP	
	IC390	M11L1644SA-50T	IC(DRAM)	4M*4 DRAM	
	IC400	XC62ER3602M-X	IC	3.6V REG	
	IC410	M63008FP-X	IC	BTL DRIVER	
	IC450	BD7910FV-X	IC	DRIVER	
	IC480	AK4519VF-X	IC		
	IC485	TK11140SC-W	IC		
	IC500	UPD784217AGC152	IC(MCU)		
	IC590	BR93LC66F-X	IC	256*16BIT EEPROM	
	K 346	NQR0360-002X	FERRITE BEADS		
	K 353	NQR0389-003X	FERRITE BEADS		
	K 491	NRSA63J-0R0X	MG RESISTOR		
	K 492	NRSA63J-0R0X	MG RESISTOR		
	K 495	NRSA63J-0R0X	MG RESISTOR		
	K 496	NRSA63J-0R0X	MG RESISTOR		
	K 505	NQR0389-003X	FERRITE BEADS		
	K 521	NQR0354-001X	FERRITE BEADS		
	K 522	NQR0354-001X	FERRITE BEADS		
	K 523	NQR0389-003X	FERRITE BEADS		
	K 524	NQR0389-003X	FERRITE BEADS		
	K 527	NRSA63J-0R0X	MG RESISTOR		
	K 528	NRSA63J-0R0X	MG RESISTOR		
	K 529	NRSA63J-0R0X	MG RESISTOR		
	K 530	NRSA63J-0R0X	MG RESISTOR		
	K 531	NRSA63J-0R0X	MG RESISTOR		
	K 532	NRSA63J-0R0X	MG RESISTOR		
	L 351	NQL38DK-100X	INDUCTOR		
	L 352	NQL38DK-100X	INDUCTOR		
	L 525	NQL274M-1R5X	INDUCTOR		
	L 526	NQL274M-1R5X	INDUCTOR		

■ Electrical parts list (MD servo control board)

Block No. 04

△	Item	Parts number	Parts name	Remarks	Area	△	Item	Parts number	Parts name	Remarks	Area
	Q 330	2SA1362/G/-X	TRANSISTOR				R 380	NRSA63J-105X	MG RESISTOR		
	Q 331	KRA102S-X	D TRANSISTOR				R 381	NRSA63J-102X	MG RESISTOR		
	Q 332	KRA116S-X	TRANSISTOR				R 382	NRSA63J-151X	MG RESISTOR		
	Q 333	KRA116S-X	TRANSISTOR				R 387	NRSA63J-102X	MG RESISTOR		
	Q 400	2SA1363/EF/-X	TRANSISTOR	4.6V REG			R 389	NRSA63J-331X	MG RESISTOR		
	Q 401	2SA1363/EF/-X	TRANSISTOR	3.6V REG			R 390	NRSA63J-102X	MG RESISTOR		
	Q 410	KRC102S-X	D TRANSISTOR				R 391	NRSA63J-561X	MG RESISTOR		
	Q 411	KRC102S-X	D TRANSISTOR				R 392	NRSA63J-102X	MG RESISTOR		
	R 300	NRSA63J-0R0X	MG RESISTOR				R 393	NRSA63J-102X	MG RESISTOR		
	R 301	NRS181J-0R0X	MG RESISTOR				R 394	NRSA63J-102X	MG RESISTOR		
	R 302	NRSA63J-0R0X	MG RESISTOR				R 395	NRSA63J-102X	MG RESISTOR		
	R 305	NRSA63J-222X	MG RESISTOR				R 396	NRSA63J-331X	MG RESISTOR		
	R 306	NRSA63J-474X	MG RESISTOR				R 397	NRSA63J-331X	MG RESISTOR		
	R 309	NRSA63J-474X	MG RESISTOR				R 398	NRSA63J-331X	MG RESISTOR		
	R 310	NRSA63J-331X	MG RESISTOR				R 399	NRSA63J-102X	MG RESISTOR		
	R 311	NRSA63J-682X	MG RESISTOR				R 401	NRSA63D-153X	MG RESISTOR		
	R 313	NRSA63J-104X	MG RESISTOR				R 402	NRSA63D-562X	MG RESISTOR		
	R 314	NRSA63J-133X	MG RESISTOR				R 403	NRSA63J-471X	MG RESISTOR		
	R 315	NRSA63J-243X	MG RESISTOR				R 404	NRSA63J-333X	MG RESISTOR		
	R 316	NRSA63J-104X	MG RESISTOR				R 420	NRSA63D-223X	MG RESISTOR		
	R 317	NRSA63J-103X	MG RESISTOR				R 421	NRSA63D-103X	MG RESISTOR		
	R 320	NRSA63J-563X	MG RESISTOR				R 422	NRSA63D-223X	MG RESISTOR		
	R 321	NRSA63J-331X	MG RESISTOR				R 423	NRSA63D-103X	MG RESISTOR		
	R 322	NRSA63J-331X	MG RESISTOR				R 424	NRSA63D-223X	MG RESISTOR		
	R 323	NRSA63J-331X	MG RESISTOR				R 425	NRSA63D-103X	MG RESISTOR		
	R 324	NRSA63J-102X	MG RESISTOR				R 426	NRSA63D-223X	MG RESISTOR		
	R 325	NRSA63J-472X	MG RESISTOR				R 427	NRSA63D-103X	MG RESISTOR		
	R 326	NRSA63J-331X	MG RESISTOR				R 428	NRSA63D-243X	MG RESISTOR		
	R 327	NRSA63J-331X	MG RESISTOR				R 429	NRSA63D-392X	MG RESISTOR		
	R 328	NRSA63J-101X	MG RESISTOR				R 430	NRSA63D-243X	MG RESISTOR		
	R 330	NRSA63J-8R2X	MG RESISTOR				R 431	NRSA63D-392X	MG RESISTOR		
	R 331	NRSA63J-270X	MG RESISTOR				R 432	NRSA63D-123X	MG RESISTOR		
	R 332	NRSA63J-473X	MG RESISTOR				R 433	NRSA63D-822X	MG RESISTOR		
	R 333	NRSA63J-473X	MG RESISTOR				R 434	NRSA63D-123X	MG RESISTOR		
	R 334	NRSA63J-473X	MG RESISTOR				R 435	NRSA63D-822X	MG RESISTOR		
	R 335	NRSA63J-473X	MG RESISTOR				R 436	NRSA63J-223X	MG RESISTOR		
	R 336	NRSA63J-104X	MG RESISTOR				R 437	NRSA63J-302X	MG RESISTOR		
	R 337	NRSA63J-1R0X	MG RESISTOR				R 438	NRSA63J-223X	MG RESISTOR		
	R 338	NRSA63J-4R7X	MG RESISTOR				R 439	NRSA63J-302X	MG RESISTOR		
	R 339	NRSA63J-473X	MG RESISTOR				R 440	NRSA63D-103X	MG RESISTOR		
	R 340	NRSA63J-222X	MG RESISTOR				R 441	NRSA63D-103X	MG RESISTOR		
	R 341	NRSA63J-222X	MG RESISTOR				R 451	NRSA63J-473X	MG RESISTOR		
	R 342	NRSA63J-222X	MG RESISTOR				R 452	NRSA63J-563X	MG RESISTOR		
	R 343	NRSA63J-102X	MG RESISTOR				R 453	NRSA63J-1R0X	MG RESISTOR		
	R 354	NRSA63D-103X	MG RESISTOR				R 454	NRSA63J-1R0X	MG RESISTOR		
	R 355	NRSA63D-103X	MG RESISTOR				R 456	NAD0006-103X	THERMISTOR		
	R 356	NRSA63J-102X	MG RESISTOR				R 481	NRSA63J-100X	MG RESISTOR		
	R 361	NRSA63J-102X	MG RESISTOR				R 483	NRSA63J-0R0X	MG RESISTOR		
	R 362	NRSA63J-102X	MG RESISTOR				R 491	NRSA63J-471X	MG RESISTOR		
	R 363	NRSA63J-102X	MG RESISTOR				R 492	NRSA63J-471X	MG RESISTOR		
	R 364	NRSA63J-102X	MG RESISTOR				R 495	NRSA63J-471X	MG RESISTOR		
	R 365	NRSA63J-102X	MG RESISTOR				R 496	NRSA63J-471X	MG RESISTOR		
	R 366	NRSA63J-102X	MG RESISTOR				R 497	NRSA63J-1R0X	MG RESISTOR		
	R 367	NRSA63J-102X	MG RESISTOR				R 502	NRSA63J-152X	MG RESISTOR		
	R 368	NRSA63J-102X	MG RESISTOR				R 503	NRSA63J-222X	MG RESISTOR		
	R 369	NRSA63J-102X	MG RESISTOR				R 504	NRSA63J-333X	MG RESISTOR		
	R 371	NRSA63J-103X	MG RESISTOR				R 506	NRSA63J-103X	MG RESISTOR		
	R 372	NRSA63J-103X	MG RESISTOR				R 510	NRSA63J-102X	MG RESISTOR		
	R 375	NRSA63J-103X	MG RESISTOR				R 511	NRSA63J-102X	MG RESISTOR		
	R 376	NRSA63J-104X	MG RESISTOR				R 512	NRSA63J-102X	MG RESISTOR		
	R 377	NRSA63J-684X	MG RESISTOR				R 513	NRSA63J-102X	MG RESISTOR		
	R 378	NRSA63J-332X	MG RESISTOR				R 514	NRSA63J-102X	MG RESISTOR		
	R 379	NRSA63J-102X	MG RESISTOR				R 515	NRSA63J-102X	MG RESISTOR		

■ Electrical parts list (MD servo control board)

Block No. 04

△	Item	Parts number	Parts name	Remarks	Area
	R 516	NRSA63J-102X	MG RESISTOR		
	R 518	NRSA63J-102X	MG RESISTOR		
	R 519	NRSA63J-102X	MG RESISTOR		
	R 520	NRSA63J-102X	MG RESISTOR		
	R 521	NRSA63J-102X	MG RESISTOR		
	R 522	NRSA63J-222X	MG RESISTOR		
	R 523	NRSA63J-102X	MG RESISTOR		
	R 524	NRSA63J-102X	MG RESISTOR		
	R 525	NRSA63J-102X	MG RESISTOR		
	R 528	NRSA63J-102X	MG RESISTOR		
	R 529	NRSA63J-102X	MG RESISTOR		
	R 530	NRSA63J-102X	MG RESISTOR		
	R 534	NRSA63J-103X	MG RESISTOR		
	R 536	NRSA63J-103X	MG RESISTOR		
	R 537	NRSA63J-103X	MG RESISTOR		
	R 538	NRSA63J-473X	MG RESISTOR		
	R 540	NRSA63J-473X	MG RESISTOR		
	R 541	NRSA63J-473X	MG RESISTOR		
	R 545	NRSA63J-0R0X	MG RESISTOR		
	R 546	NRSA63J-0R0X	MG RESISTOR		
	R 547	NRSA63J-0R0X	MG RESISTOR		
	R 548	NRSA63J-0R0X	MG RESISTOR		
	R 551	NRSA63J-104X	MG RESISTOR		
	R 552	NRSA63J-104X	MG RESISTOR		
	R 554	NRSA63J-104X	MG RESISTOR		
	R 555	NRSA63J-102X	MG RESISTOR		
	R 556	NRSA63J-102X	MG RESISTOR		
	R 557	NRSA63J-102X	MG RESISTOR		
	R 558	NRSA63J-102X	MG RESISTOR		
	R 559	NRSA63J-0R0X	MG RESISTOR		
	R 560	NRSA63J-0R0X	MG RESISTOR		
	R 561	NRSA63J-0R0X	MG RESISTOR		
	R 562	NRSA63J-0R0X	MG RESISTOR		
	R 563	NRSA63J-102X	MG RESISTOR		
	R 564	NRSA63J-102X	MG RESISTOR		
	R 565	NRSA63J-102X	MG RESISTOR		
	R 567	NRSA63J-102X	MG RESISTOR		
	R 568	NRSA63J-102X	MG RESISTOR		
	R 569	NRSA63J-102X	MG RESISTOR		
	R 570	NRSA63J-223X	MG RESISTOR		
	R 592	NRSA63J-104X	MG RESISTOR		
	R 593	NRSA63J-103X	MG RESISTOR		
	S 601	NSW0165-001X	DETECT SWITCH		
	S 602	NSW0007-001X	PUSH SWITCH		
	X 350	NAX0355-001X	CRYSTAL	90.3168MHZ	
	X 500	NAX0426-001X	CRYSTAL	12.288MHZ	

■ Electrical parts list (MD cam switch board)

Block No. 05

△	Item	Parts number	Parts name	Remarks	Area
	CN611	QGF1016F3-08	CONNECTOR		
	CN612	QGA1501F1-02	CONNECTOR		
	S 611	QSW0848-001	CAM SWITCH		

< M E M O >

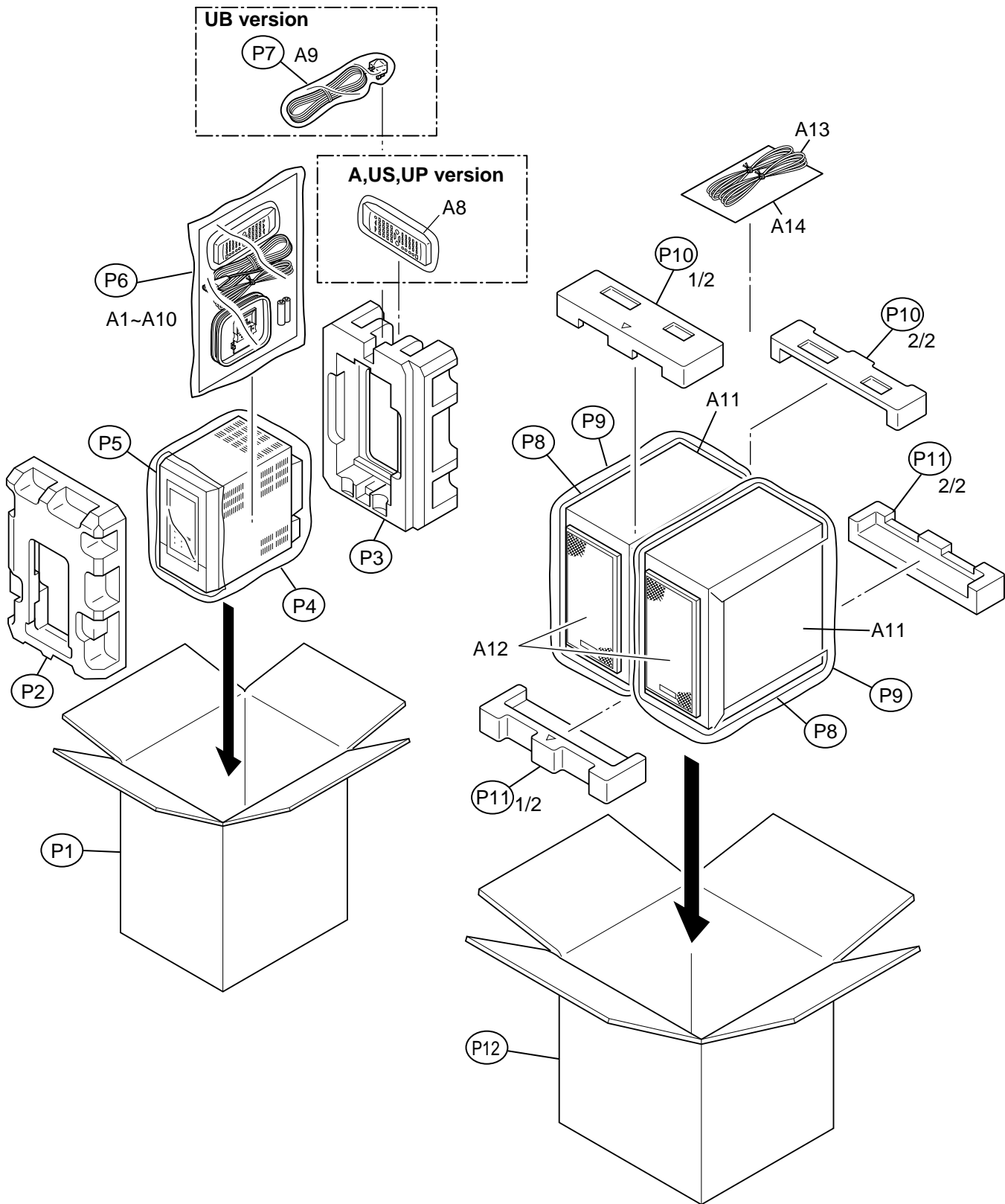
Packing materials and accessories parts list

Block No.

M	3	M	M
---	---	---	---

Block No.

M	5	M	M
---	---	---	---



■ Parts list (Packing)

Block No. M3MM

△	Item	Parts number	Parts name	Q'ty	Description	Area
	P 1	LV33112-002A	PACKING CASE	1	CA-NXMD1	
	P 2	LV10527-001A	PACKING PAD(FRONT)	1	CA-NXMD1	
	P 3	LV10528-002A	PACKING PAD(REAR)	1	CA-NXMD1	
	P 4	QPC05005015P	POLY BAG	1	FOR SET	
	P 5	LV42796-001A	SHEET	1		
	P 6	QPC02503510P	POLY BAG	1	FOR ACCESSARY	
	P 7	QPA01503503	POLY BAG	1		UB
	P 8	85-000-417-01	MIRROR MAT	2	SP-NXMD1	
	P 9	85-000-416-01	POLY BAG	2	SP-NXMD1	
	P 10	80-000-456-01	TOP CUSHION	1	SP-NXMD1	
	P 11	80-000-456-11	BOTTOM CUSHION	1	SP-NXMD1	
	P 12	83-000-439-81	PACKING CASE	1	SP-NXMD1	A
		83-000-439-51	PACKING CASE	1	SP-NXMD1	UB,US,UP

■ Parts list (Accessories)

Block No. M5MM

△	Item	Parts number	Parts name	Q'ty	Description	Area
	A 1	LVT0776-006A	I.B.(CA-NXMD1)	1	ENG,CHI	US
		LVT0776-007A	I.B.(CA-NXMD1)	1	KOR	UP
		LVT0776-010A	I.B.(CA-NXMD1)	1	ENG	A
		LVT0776-011A	I.B.(CA-NXMD1)	1	ENG,CHI	UB
	A 2	BT-56001-2	WARRANTY CARD	1		A
		BT-56010-1	WARRANTY CARD	1		UP
	A 3	LV30258-079A	UB SHEET	1		UB
	A 4	BT-56002-2	SERVICE NETWORK	1		A
	A 5	QAL0014-001	AM LOOP ANT	1		
	A 6	EWP503-001C	ANT.WIRE	1		
	A 7	-----	BATTERY	2		
	A 8	RM-SNXMD1U	REMOCON	1		
△	A 9	QMPP060-183-JD	POWER CORD	1		UB
△		QMPL060-183-JD	POWER CORD	1		US
△		QMP25D0-183	POWER CORD	1		A
△		VMP0121-001	POWER CORD	1		UP
△	A 10	QAM0112-001	AC PLUG ADAPTER	1		US
	A 11	NXMD1R-SPBOX	SPEAKER BOX	2		
	A 12	99-100-061-21	SARAN BOARD	2		
	A 13	62-000-411-01	SPEAKER CORD	1		
	A 14	87-001-003-11	I.B.(SP-NXMD1)	1	ENG,CHI,ARA	